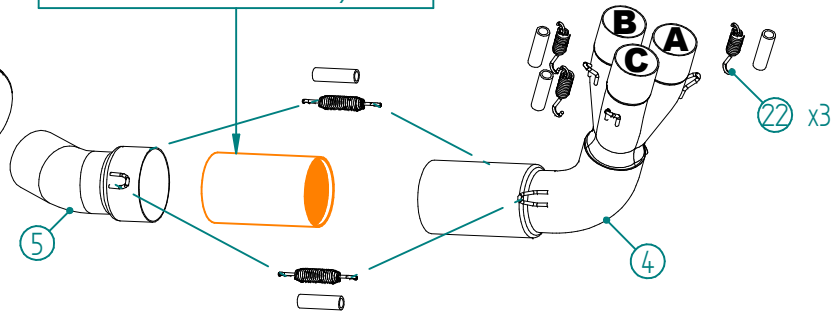
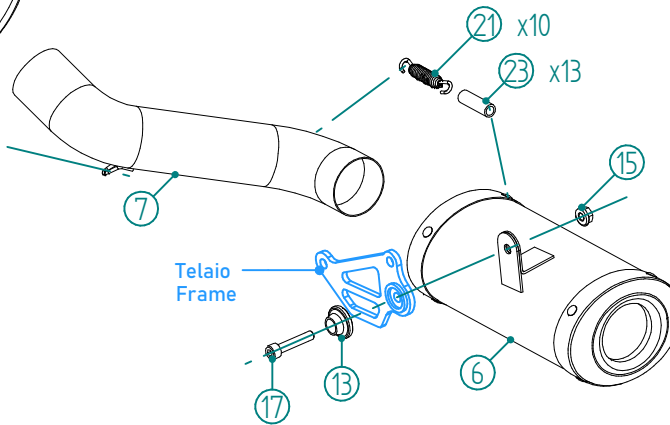


#	DESCRIPTION	PART NUMBER	QTY
1	Collettore #1 / Down pipe #1	9773Y066S2A	1
2	Collettore #2 / Down pipe #2	9773Y066S2B	1
3	Collettore #3 / Down pipe #3	9773Y066S2C	1
4	Tubo di raccordo 3-1 / Link pipe 3-1	9773Y066S2D	1
5	Tubo di raccordo / Link pipe	9773Y066S2EA	1
6	Pre-silenziatore / Pre-silencer	9773Y066S2EB	1
7	Tubo di raccordo / Link pipe	9773Y066S2EC	1
8	Silenziatore / Muffler - dB killer 50.DK.067.0	OVAL 300	1
9	Staffa / Bracket	50.SS.030.0	1
10	Protezione in gomma per staffa / Rubber protection	50.73.077.1	1
11	Vite M8x20 / Screw M8x20	50.73.894.1	2
12	Rondella in alluminio / Aluminium washer	50.73.063.1	1
13	Rondella in alluminio nera / Black aluminium washer	50.73.221.1	2
14	Staffa / Bracket	50.SS.1280.0	1
15	Dado M8 flangiato / Flanged nut M8	50.73.393.1	3
16	Staffa / Bracket	50.SS.1281.0	1
17	Vite M8x40 / Screw M8x40	50.73.075.1	1
18	Boccola interna in acciaio / Internal steel bush	50.73.337.1	3
19	Boccola esterna in acciaio / External steel bush	50.73.338.1	3
20	Flangia in alluminio / Aluminium flange	50.73.339.1	3
21	Molla media / Middle spring	50.73.359.1	10
22	Molla corta / Short Spring	50.73.123.1	3
23	Tubo in gomma per molla / Rubber pipe for spring	50.73.049.0	13



APPLICAZIONI / APPLICATIONS				
CODICE / CODE	SILENZIATORE / MUFFLER	TUBO / PIPE	FASCETTA / CLAMP	NOTE
74.Y.066.LX1	INOX / ST. STEEL	INOX / ST. STEEL	INOX / ST. STEEL	CATALYTIC CONVERTER NOT INCLUDED
74.Y.066.LX1B	STEEL BLACK			CATALYTIC CONVERTER INCLUDED
74.Y.066.KX1	INOX / ST. STEEL	INOX / ST. STEEL	INOX / ST. STEEL	CATALYTIC CONVERTER NOT INCLUDED
74.Y.066.KX1B	STEEL BLACK			CATALYTIC CONVERTER INCLUDED