



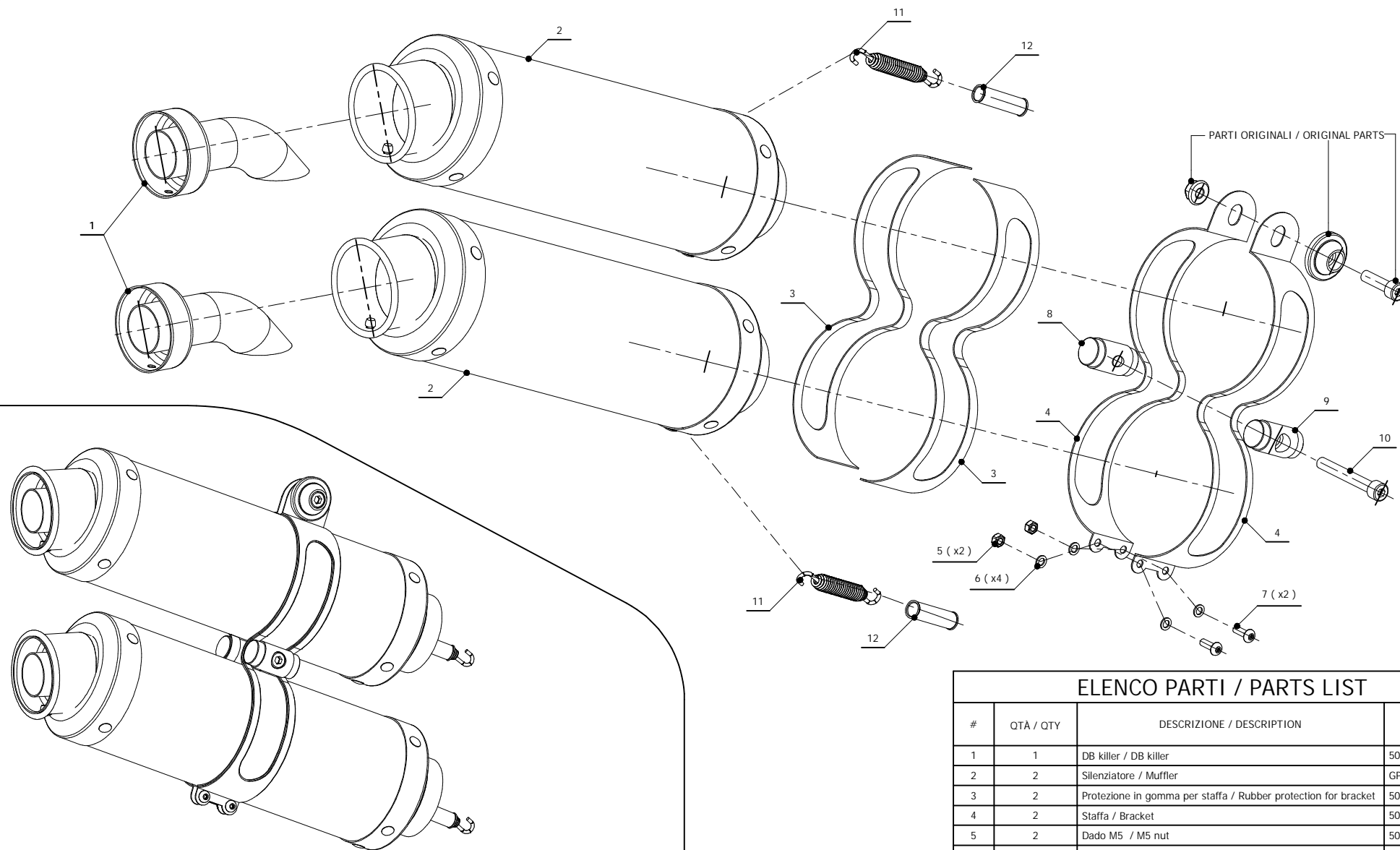
MODEL DUCATI STREETFIGHTER

YEAR 2009

LINE SPORT

MUFFLER GP

SCHEMATIC



APPLICAZIONI / APPLICATIONS

CODICE / CODE	TUBO / PIPE	SILENZIATORE / MUFFLER	FASCETTA / CLAMP	CODICE OMOL. / HOMOL. CODE
D.024.L2S	---	CARBONIO / CARBON FIBER	INOX / ST. STEEL	ME035 e9 1289
D.024.L6S	---	TITANIO / TITANIUM	INOX / ST. STEEL	ME035 e9 1289

ELENCO PARTI / PARTS LIST

#	QTA / QTY	DESCRIZIONE / DESCRIPTION	CODICE / CODE
1	1	DB killer / DB killer	50.DK.020.0
2	2	Silenziatore / Muffler	GP
3	2	Protezione in gomma per staffa / Rubber protection for bracket	50.73.040.1
4	2	Staffa / Bracket	50.SS.430.1
5	2	Dado M5 / M5 nut	50.73.267.1
6	4	Rondella M5 / Washer M5	50.73.351.1
7	2	Vite M5 x 15 / Screw M5 x 15	50.73.271.1
8	1	Bussola filettata / Threaded bush	50.73.344.1
9	1	Bussola forata / Drilled bush	50.73.343.1
10	1	Vite M8x60 / Screw M8x60	50.73.078.1
11	2	Molla / Spring	50.71.080.1
12	2	Tube in gomma per molla / Rubber pipe for spring	50.73.210.1