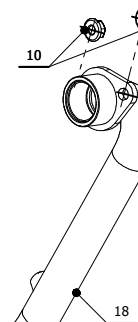
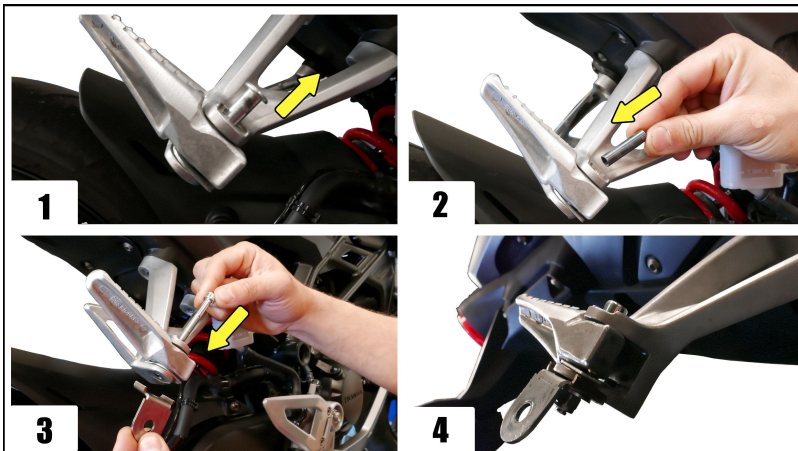
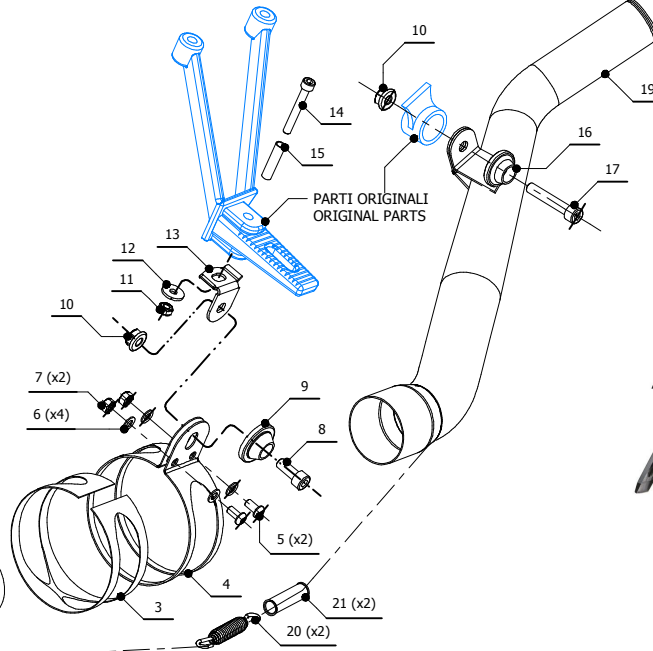


#### ELENCO PARTI / PARTS LIST

#	QTÀ / QTY	DESCRIZIONE / DESCRIPTION	CODICE / CODE
1	1	DB killer / DB killer	50.DK.020.0
2	1	Silenziatore / Muffler	GP
3	1	Protezione in gomma / Rubber protection	50.73.077.1
4	1	Staffa / Bracket	50.SS.241.1
5	2	Vite M6 x 12 / Screw M6 x 12	50.72.024.1
6	4	Rondella M6 / Washer M6	50.72.027.1
7	2	Dado M6 / Nut M6	50.73.146.1
8	1	Vite M8x20 / Screw M8x20	50.73.894.1
9	1	Rondella in alluminio / Aluminium washer	50.73.063.1
10	4	Dado M8 flangiato / Flanged nut M8	50.73.393.1
11	1	Dado M6 autobloccante / M6 locknut	50.73.112.1
12	1	Rondella M6 / Washer M6	50.73.187.1
13	1	Staffa / Bracket	50.SS.1132.0
14	1	Vite M6x45 / Screw M6x45	50.73.590.1
15	1	Bussola / Bush	50.73.932.1
16	1	Rondella in alluminio nera / Black aluminium washer	50.73.221.1
17	1	Vite M8x45 / Screw M8x45	50.73.602.1
18	1	Tubo collettore / Down pipe	9773H074S2A
19	1	Tubo di raccordo / Link pipe	9773H074S2B
20	2	Molla media / Mid-size spring	50.73.359.1
21	2	Tubo in gomma per molla / Rubber pipe for spring	50.73.049.0



**Catalytic Converter**  
**Cod. ACC.073.A1**  
*Optional for 74.H.074.LXS - 74.H.074.LXSB*  
*Included in 74.H.074.KXS - 74.H.074.KXSB*



#### APPLICAZIONI / APPLICATIONS

CODICE / CODE	SILENZIATORE / MUFFLER	TUBO / PIPE	FASCETTA / CLAMP	NOTE
74.H.074.LXS	INOX / ST. STEEL	INOX / ST. STEEL	INOX / ST. STEEL	CATALYTIC CONVERTER NOT INCLUDED
74.H.074.LXSB	STEEL BLACK	INOX / ST. STEEL	INOX / ST. STEEL	CATALYTIC CONVERTER NOT INCLUDED
74.H.074.KXS	INOX / ST. STEEL	INOX / ST. STEEL	INOX / ST. STEEL	CATALYTIC CONVERTER INCLUDED
74.H.074.KXSB	STEEL BLACK	INOX / ST. STEEL	INOX / ST. STEEL	CATALYTIC CONVERTER INCLUDED