



MODEL HONDA CRF 450

YEAR 2009-->

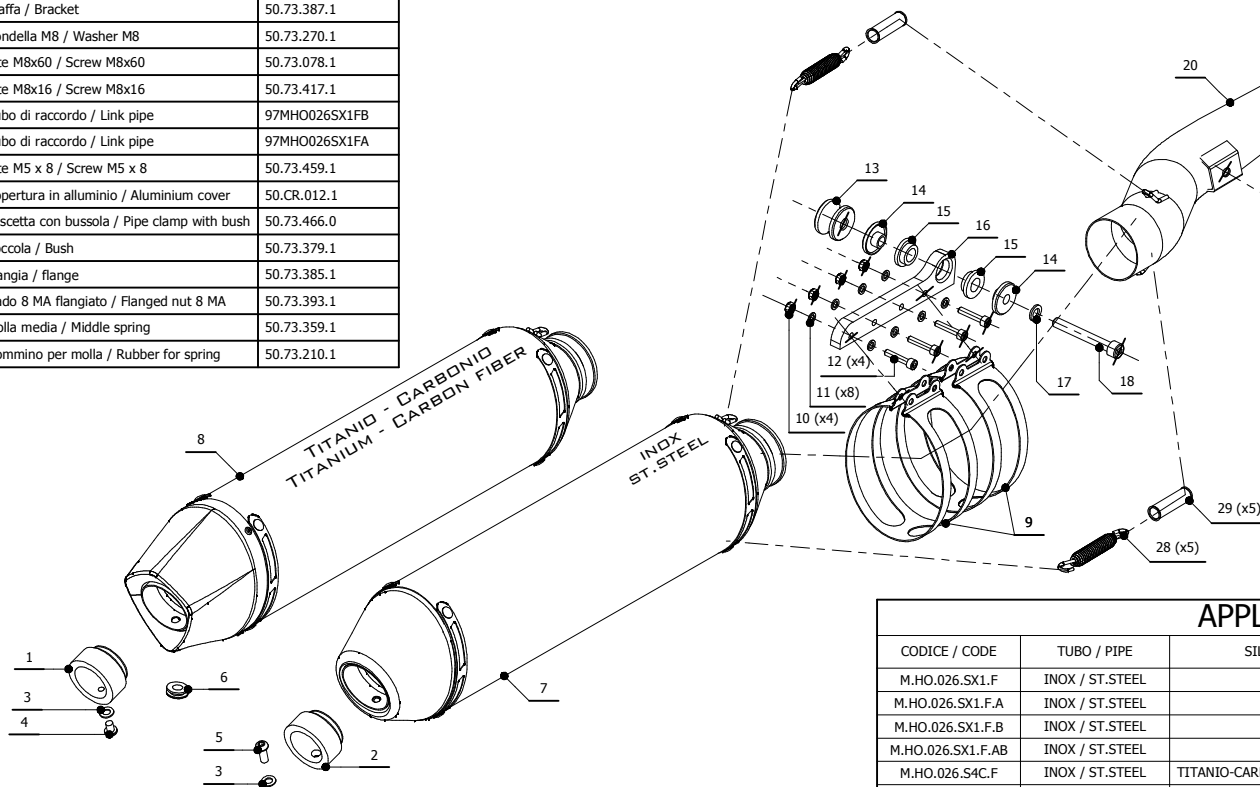
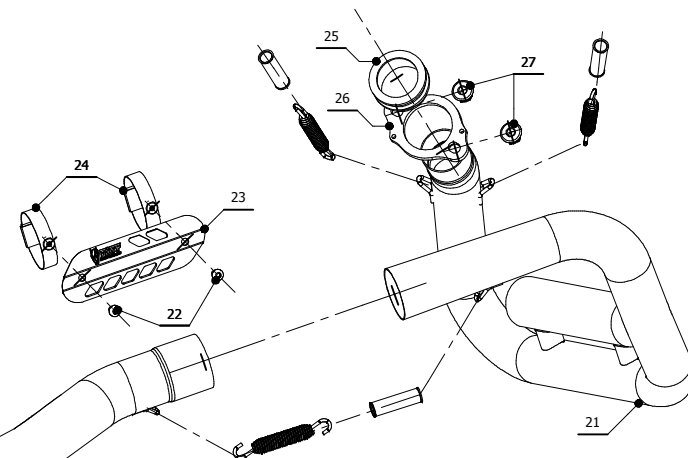
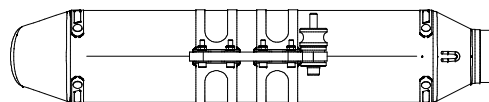
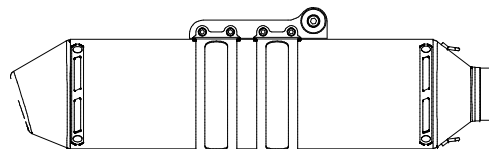
LINE STRONGER

MUFFLER OVAL STEEL
OVAL TITANIUM-CARBON CAP

SCHEMATIC

ELENCO PARTI / PARTS LIST

#	QTÀ / QTY	DESCRIZIONE / DESCRIPTION	CODICE / CODE
1	1	DB killer / DB killer	50.DK.049.0
2	1	DB killer / DB killer	50.DK.044.0
3	2	Rondella M6 / Washer M6	50.73.131.1
4	1	Vite M6 x 8 / Screw M6 x 8	50.72.026.1
5	1	Vite M6x16 / Screw M6 x 16	50.73.175.1
6	1	Tappo in gomma / Rubber stopper	50.73.266.1
7	1	Silenziatore / Muffler	OVAL STEEL
8	1	Silenziatore / Muffler	OVAL CARBON CAP
9	2	Staffa / Bracket	50.73.386.1
10	4	Dado M5 autobloccante / M5 locknut	50.73.292.1
11	8	Rondella M5 / Washer M5	50.73.351.1
12	4	Vite M5 x 25 / Screw M5 x 25	50.73.392.1
13	1	Distanziale in alluminio / Aluminium spacer	50.SS.056.1
14	2	Boccola in alluminio / Aluminium bush	50.73.381.1
15	2	Silentblock / Silentblock	50.73.380.1
16	1	Staffa / Bracket	50.73.387.1
17	2	Rondella M8 / Washer M8	50.73.270.1
18	1	Vite M8x60 / Screw M8x60	50.73.078.1
19	1	Vite M8x16 / Screw M8x16	50.73.417.1
20	1	Tube di raccordo / Link pipe	97MHO026SX1FB
21	1	Tube di raccordo / Link pipe	97MHO026SX1FA
22	2	Vite M5 x 8 / Screw M5 x 8	50.73.459.1
23	1	Copertura in alluminio / Aluminium cover	50.CR.012.1
24	2	Fascetta con bussola / Pipe clamp with bush	50.73.466.0
25	1	Boccola / Bush	50.73.379.1
26	1	Flangia / flange	50.73.385.1
27	2	Dado 8 MA flangiato / Flanged nut 8 MA	50.73.393.1
28	5	Molla media / Middle spring	50.73.359.1
29	5	Gommino per molla / Rubber for spring	50.73.210.1



APPLICAZIONI / APPLICATIONS

CODICE / CODE	TUBO / PIPE	SILENZIATORE / MUFFLER	FASCETTA / CLAMP	CARTER / COVER	HOMOL.
M.HO.026.SX1.F	INOX / ST.STEEL	INOX / ST.STEEL	INOX / ST.STEEL	ALLUMINIO / ALUMINIUM	F I M
M.HO.026.SX1.F.A	INOX / ST.STEEL	INOX / ST.STEEL	CARBONIO / CARBON FIBER	ALLUMINIO / ALUMINIUM	F I M
M.HO.026.SX1.F.B	INOX / ST.STEEL	INOX / ST.STEEL	INOX / ST.STEEL	CARBONIO / CARBON FIBER	F I M
M.HO.026.SX1.F.AB	INOX / ST.STEEL	INOX / ST.STEEL	CARBONIO / CARBON FIBER	CARBONIO / CARBON FIBER	F I M
M.HO.026.S4C.F	INOX / ST.STEEL	TITANIO-CARBONIO / TITANIUM-CARBON FIBER	INOX / ST.STEEL	ALLUMINIO / ALUMINIUM	F I M
M.HO.026.S4C.F.A	INOX / ST.STEEL	TITANIO-CARBONIO / TITANIUM-CARBON FIBER	CARBONIO / CARBON FIBER	ALLUMINIO / ALUMINIUM	F I M
M.HO.026.S4C.F.B	INOX / ST.STEEL	TITANIO-CARBONIO / TITANIUM-CARBON FIBER	INOX / ST.STEEL	CARBONIO / CARBON FIBER	F I M
M.HO.026.S4C.F.AB	INOX / ST.STEEL	TITANIO-CARBONIO / TITANIUM-CARBON FIBER	CARBONIO / CARBON FIBER	CARBONIO / CARBON FIBER	F I M
M.HO.026.S5C.F	TITANIO / TITANIUM	TITANIO-CARBONIO / TITANIUM-CARBON FIBER	CARBONIO / CARBON FIBER	CARBONIO / CARBON FIBER	F I M