



MODEL YAMAHA XSR 900

YEAR 2016 -->

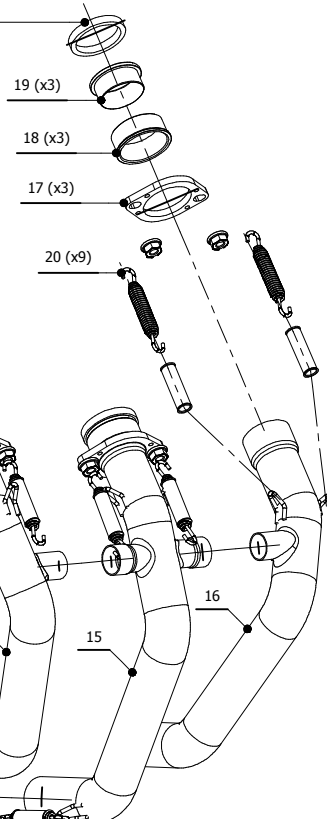
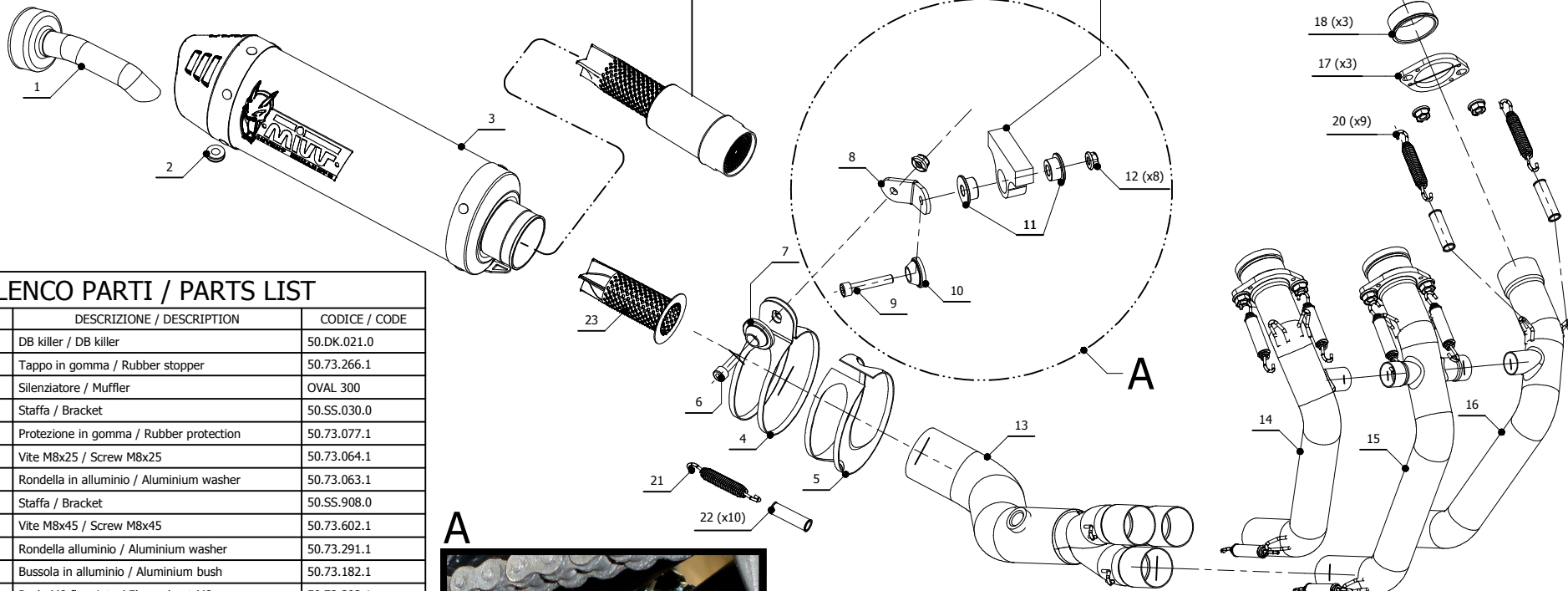
LINE FULL SYSTEM

MUFFLER OVAL CARBON CAP

SCHEMATIC

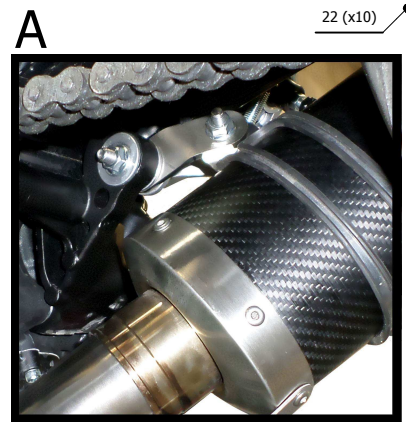
Catalytic Converter
Cod. ACC.042.A1
Optional for Y.054.L3C - Y.054.L4C
Included in Y.054.K3C - Y.054.K4C

Parti originali
Original parts



ELENCO PARTI / PARTS LIST

#	QTÀ / QTY	DESCRIZIONE / DESCRIPTION	CODICE / CODE
1	1	DB killer / DB killer	50.DK.021.0
2	1	Tappo in gomma / Rubber stopper	50.73.266.1
3	1	Silenziatore / Muffler	OVAL 300
4	1	Staffa / Bracket	50.SS.030.0
5	1	Protezione in gomma / Rubber protection	50.73.077.1
6	1	Vite M8x25 / Screw M8x25	50.73.064.1
7	1	Rondella in alluminio / Aluminium washer	50.73.063.1
8	1	Staffa / Bracket	50.SS.908.0
9	1	Vite M8x45 / Screw M8x45	50.73.602.1
10	1	Rondella alluminio / Aluminium washer	50.73.291.1
11	2	Bussola in alluminio / Aluminium bush	50.73.182.1
12	8	Dado M8 flangiato / Flanged nut M8	50.73.393.1
13	1	Tubo di raccordo 3-1 / Link pipe 3-1	9773Y049S2D
14	1	Collettore #3 / Down pipe #3	9773Y049S2C
15	1	Collettore #2 / Down pipe #2	9773Y049S2B
16	1	Collettore #1 / Down pipe #1	9773Y049S2A
17	3	Flangia in alluminio / Aluminium flange	50.73.339.1
18	3	Boccola esterna in acciaio / External steel bush	50.73.338.1
19	3	Boccola interna in acciaio / Internal steel bush	50.73.337.1
20	9	Molla media / Middle spring	50.73.359.1
21	1	Molla lunga / Long spring	50.71.080.1
22	10	Tubo in gomma per molla / Rubber pipe for spring	50.73.210.1
23	1	Db Killer forato / Drilled DB killer	50.DK.082.0



APPLICAZIONI / APPLICATIONS

CODICE / CODE	SILENZIATORE / MUFFLER	TUBO / PIPE	FASCETTA / CLAMP	NOTE
Y.054.L3C Y.054.L4C	CARBONIO (COPPA CARBONIO) / CARBON (CARBON CAP) TITANIO (COPPA CARBONIO) / TITANIUM (CARBON CAP)	INOX / ST.STEEL	INOX / ST.STEEL	CATALYTIC CONVERTER NOT INCLUDED
Y.054.K3C Y.054.K4C	CARBONIO (COPPA CARBONIO) / CARBON (CARBON CAP) TITANIO (COPPA CARBONIO) / TITANIUM (CARBON CAP)	INOX / ST.STEEL	INOX / ST.STEEL	CATALYTIC CONVERTER INCLUDED

