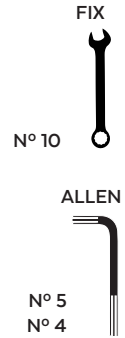
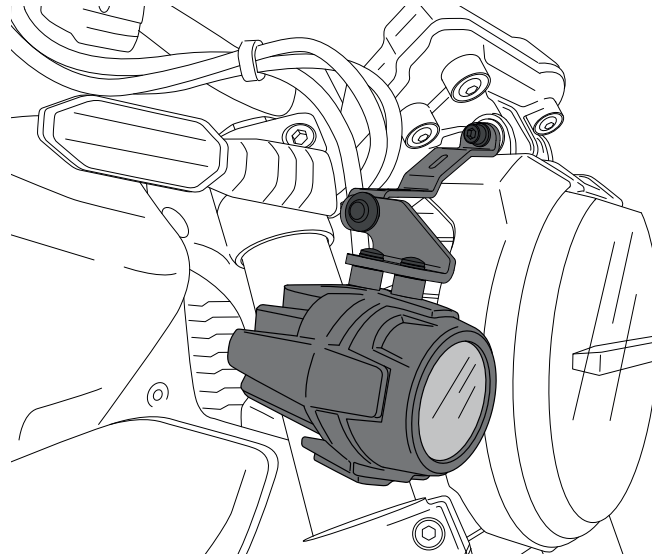


# HONDA CB1000R '18

REF 1943N

SOPORTE FOCOS LED / LED SPOTLIGHTS SUPPORT / LED SPOTLIGHTS HALTER



ID.	PIEZA / PART	DESCRIPCIÓN	DESCRIPTION	QTY.	REF.:
1		Soporte	Support	2	SOPORFOC03-0-03
2		Soporte	Support	2	SOPORFOC04-0-04
3		Tornillo allen M6x30 DIN912	M6x30 DIN912 screw	2	TORNIDD912--391
4		Arandela plana M6 DIN125/A	M6 DIN125/A washer	2	ARANDEPD125-054
5		Arandela plana M6 DIN9021	M6 DIN9021 washer	2	ARANPD9021-037
6		Tuerca M6 DIN6923	M6 DIN7923 nut	2	TUERCAEN6G-0213
7		Casquillo long.8 (Tornillo M5)	Spile length 8	4	CASQUI81415-776
8		Tornillo allen M6x15 DIN1001	M6x15 DIN1001 screw	2	TORNI-Z7380-403
9		Tapón tornillo M5	M5 screw cap	4	TAPON-----85
10		Tapón tornillo M6	M6 screw cap	2	TAPON-----86
11		Brida pequeña	Small bridle	4	BRIDAN100X2'5-N
12		Brida mediana	Medium bridle	4	BRIDAN142X3'6-N
13		Tornillo (Incluido con el foco)	Screw (Included with the spotlight)	4	n/a
14		Arandela (Incluido con el foco)	Washer (Included with the spotlight)	4	n/a

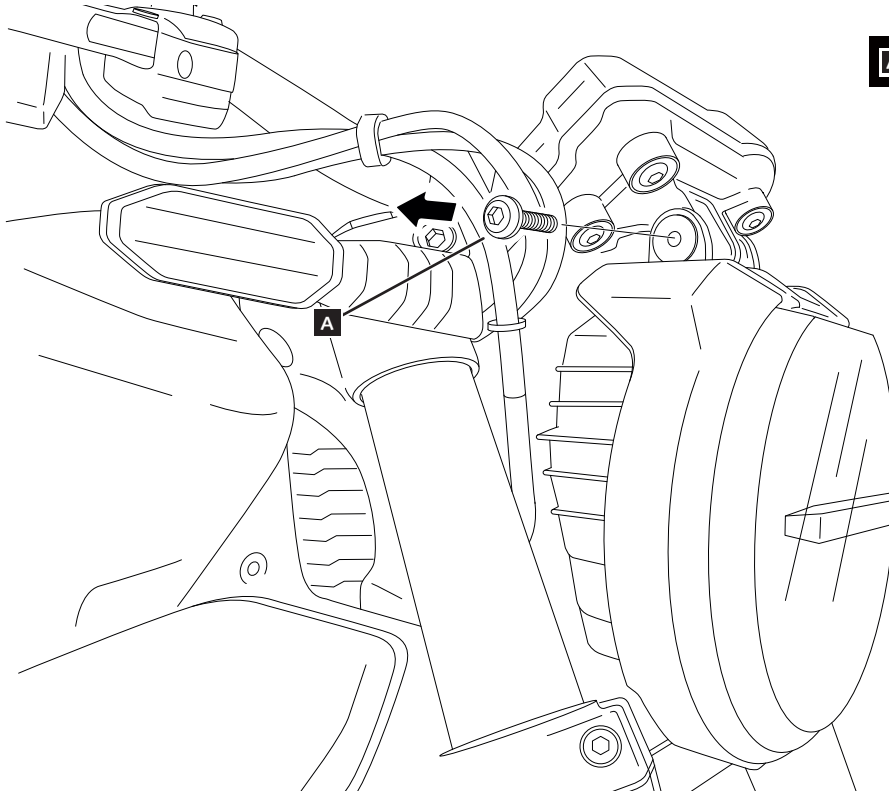
**CONSULTAR EN NUESTRA PAGINA WEB LA DISPONIBILIDAD DEL VIDEO DE MONTAJE DE ESTA REFERENCIA.  
CONSULT OUR WEBSITE THE VIDEO MOUNT AVAILABILITY OF THIS REFERENCE.**

# HONDA CB1000R '18

## INSTRUCCIONES DE MONTAJE - MOUNTING INSTRUCTIONS - MONTAGEANLEITUNG

**1**

**DISASSEMBLY  
DESMONTAJE**



**A** Tornillería original  
Original screws

**2**

**ASSEMBLY  
MONTAJE**

