



**MODEL** BMW S 1000 XR

**YEAR** 2015 ->

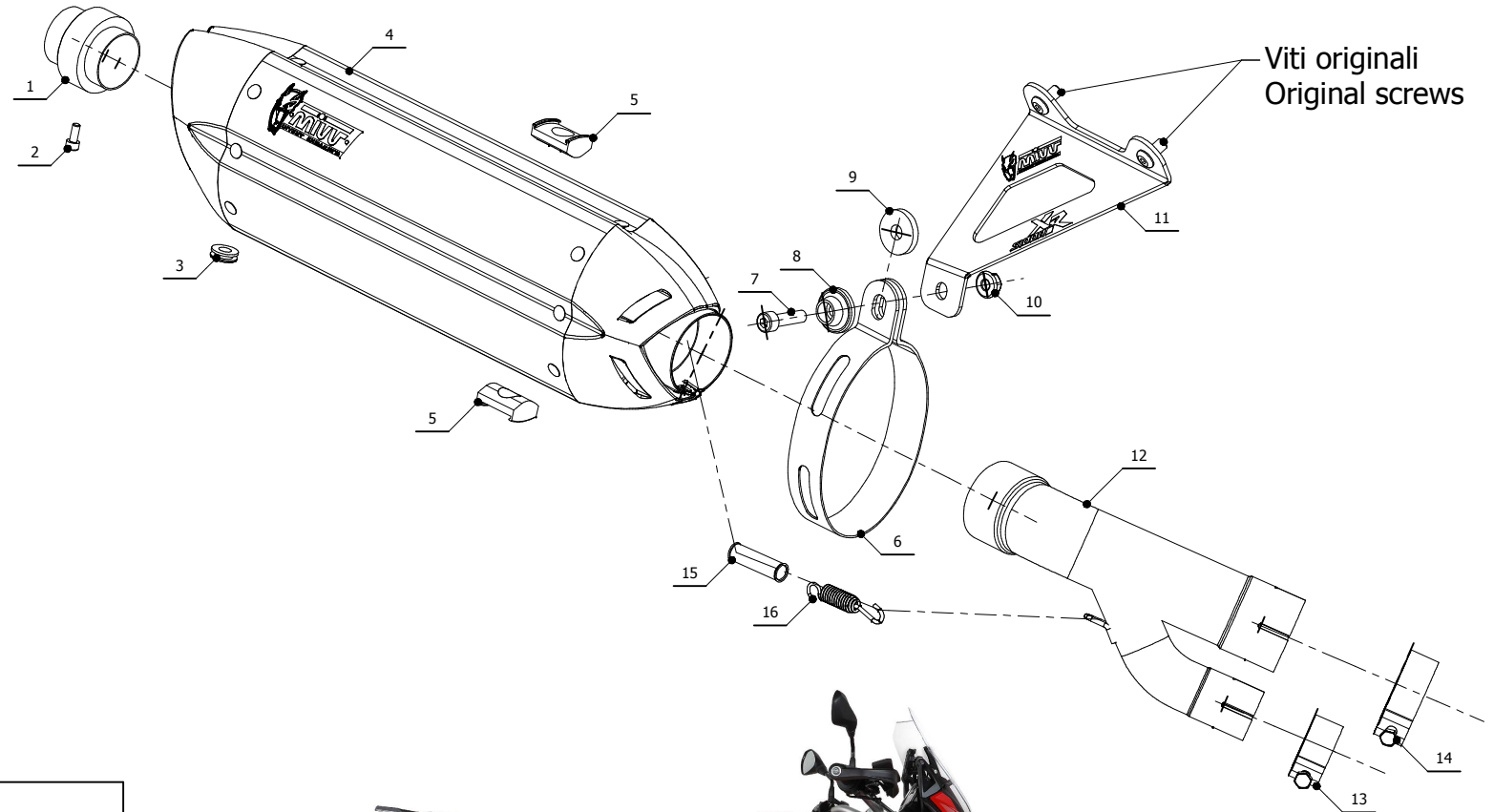
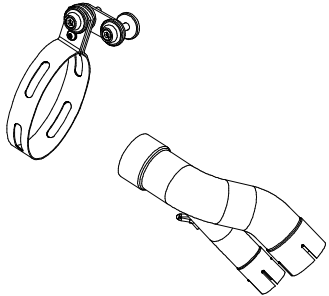
**LINE** SPORT

**MUFFLER** SUONO

**SCHEMATIC**

**PARTI OPZIONALI  
OPTIONAL PARTS**

COMPONENTI PASSAGGIO BASSO  
LOW POSITION PARTS  
cod.: **00.73.ACC.036.S7**



**ELENCO PARTI / PARTS LIST**

#	QTÀ / QTY	DESCRIZIONE / DESCRIPTION	CODICE / CODE
1	1	DB killer / DB killer	50.DK.075.0
2	1	Vite M5x12 / Screw M5 x 12	50.73.628.1
3	1	Tappo in gomma / Rubber stopper	50.73.266.1
4	1	Silenziatore / Muffler	SUONO 320
5	2	Tassello grande / Rubber big block	50.73.203.1
6	1	Staffa in carbonio / Carbon fiber bracket	50.SS.180.1
7	1	Vite M8x30 / Screw M8x30	50.73.219.1
8	1	Rondella in alluminio nera / Black aluminium washer	50.73.221.1
9	1	Rondella in gomma / Rubber washer	50.73.227.1
10	1	Dado M8 flangiato / Flanged nut M8	50.73.393.1
11	1	Staffa / Bracket	50.SS.919.0
12	1	Tubo di raccordo / Link pipe	9773B027SE
13	1	Fascetta Ø 34/37 mm / Pipe clamp Ø 34/37 mm	50.FA.002.1
14	1	Fascetta Ø 48/51 mm / Pipe clamp Ø 48/51 mm	50.FA.007.1
15	1	Tubo in gomma per molla / Rubber pipe for spring	50.73.210.1
16	1	Molla corta / Short Spring	50.73.123.1



**APPLICAZIONI / APPLICATIONS**

CODICE / CODE	TUBO / PIPE	FASCETTA / CLAMP	SILENZIATORE / MUFFLER	CODICE OMOL. / HOMOL. CODE
B.027.L7	INOX / ST. STEEL	CARBONIO / CARBON FIBER	INOX (COPPE CARBONIO) / ST. STEEL (CARBON CAPS)	ME008 e9 1176
B.027.L9	INOX / ST. STEEL	CARBONIO / CARBON FIBER	STEEL BLACK	ME008 e9 1176