

LITHIUM

LiFePO4

LITHIUM (LiFePO4) | High Performance

REF **BSLi-05**



12v

VOLTAGE

48Wh

ENERGY

280A

CCA

TECHNOLOGY

- Lithium Iron Phosphate cells construction
- Pre-charged batteries
- Homologated by OEM

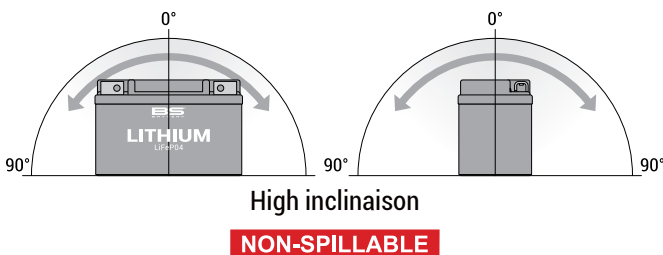
FEATURES

- Fast charging
- Multi-positioning mounting
- Very safe and environmental friendly
- Extensive cycle life: over 2000 cycles
- Very low self-discharge
- Cold temperature performance
- Waterproof design
- Ready to use: just plug and play
- Robust brass terminals
- Heat resistance: up to 230 C°
- Lighter weight

REPLACEMENTS

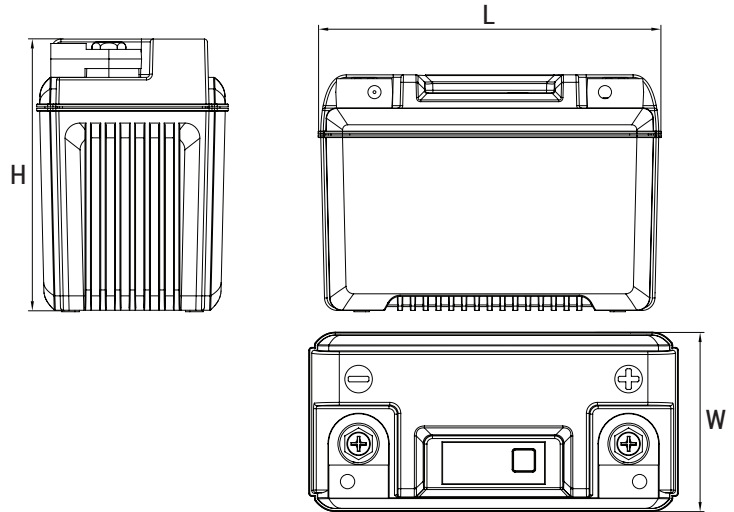
BB10L-A2	BB10L-BP	BB14L-A2	SBB14L-B2
BB10L-B	BB12AL-A	BB14L-B2	12N10-3A-2
BB10-B2	BB12AL-A2	BB16AL-A2	12N11-3A-1
BTX14AHL-BS	BB14L-A1	SBB14L-A2	12N14-3A

MOUNTING ANGLE



DIMENSIONS & WEIGHT

Length (L): 134±1mm
 Width (W): 65±1mm
 Height (H): 92±2mm
 Weight: 0.95kg (tolerance ±3%)



TERMINALS

