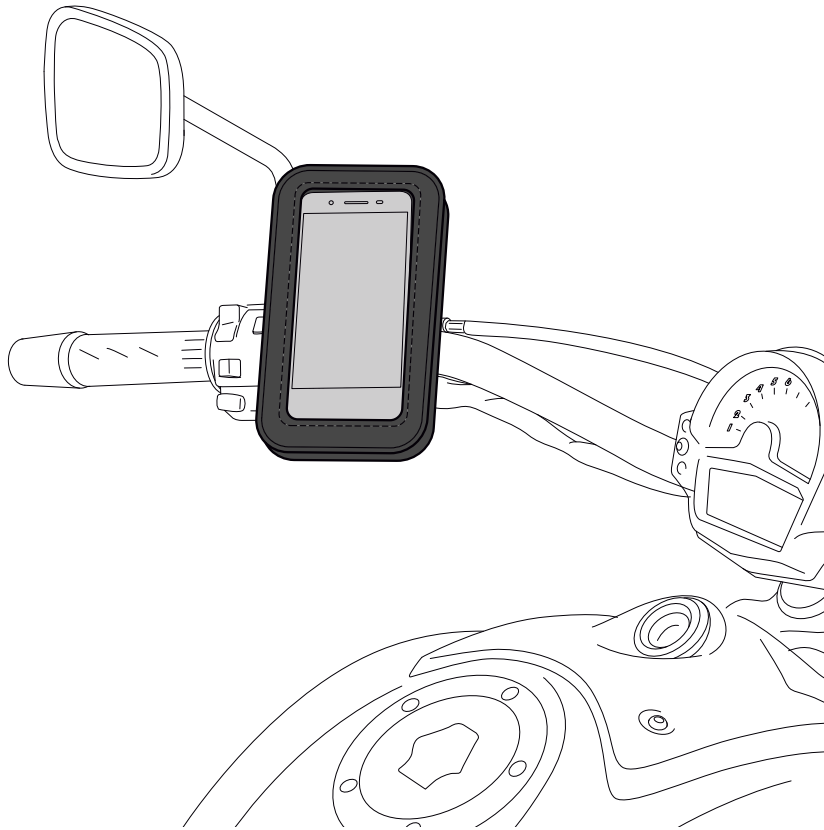


**SOPORTE UNIVERSAL PARA MANILLAR /  
UNIVERSAL SUPPORT TO HANDLEBAR**

**M O U N T I N G I N S T R U C T I O N S**

**REF 3534N**

**SOPORTE FUNDA MOVIL / MOBILE COVER SUPPORT / MOBILE COVER-UNTERSTÜTZUNG**



1 Person



2 min



EASY

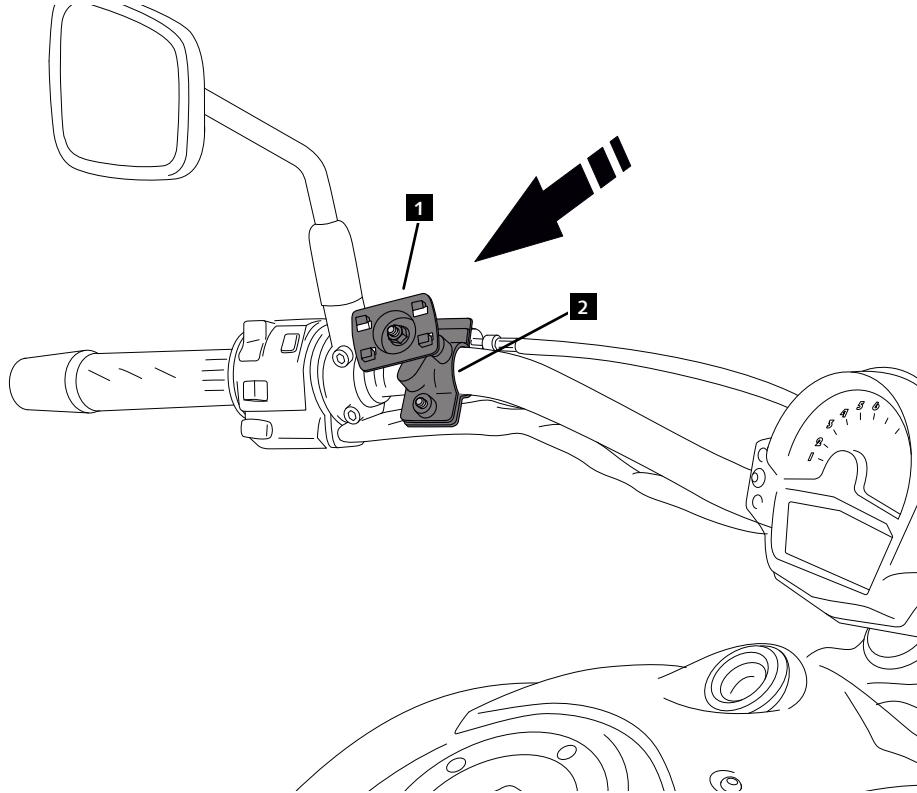
ID.	PIEZA/PART	DESCRIPCIÓN	DESCRIPTION	QTY.	REF.:
1		Soporte	Support	1	3534N
2		Goma protectora manillar	Handlebar rubber band protector	2	----
3		Funda (No suministrada)	Cover (Not supplied)	1	3530N/3531N

## SOPORTE UNIVERSAL PARA MANILLAR / UNIVERSAL SUPPORT TO HANDLEBAR

INSTRUCCIONES DE MONTAJE - MOUNTING INSTRUCTIONS - MONTAGEANLEITUNG

**1**

ASSEMBLY  
MONTAJE



**2**

ASSEMBLY  
MONTAJE

