



RDW

Vehicle Technology Division



THE NETHERLANDS  
(N E D E R L A N D)



COMMUNICATION

Concerning <sup>(1)</sup> :

- approval granted
- ~~- approval extended~~
- ~~- approval refused~~
- ~~- approval withdrawn~~
- ~~- production definitely discontinued~~

of a type of pneumatic tyre for motor cycles and mopeds pursuant to Regulation number 75.

**Approval number : E4-75R- 0010703**

**Extension number : 00**

Approval mark :



**75R- 0010703**

- |      |   |   |   |
|------|---|---|---|
| 1.   | Manufacturer's name or trade mark(s)<br>on the tyre type                | : | DUNLOP  |
| 2.   | Tyre type designation by the manufacturer                               | : | D402  |
| 3.   | Manufacturer's name and address   | : | Goodyear Dunlop Tires France.<br>8 rue Lionel Terray<br>F- 92500 RUEIL-MALMAISON  |
| 4.   | If applicable, name and address of the<br>manufacturer's representative | : |   |
| 5.   | Summarised description  |   |   |
| 5.1. | Tyre size designation   | : | MT90 B 16 M/C 74H REINF   |
| 5.2. | Category of use   | : | ordinary / <del>snow</del> / <del>special</del> / <del>moped</del> <sup>(4)</sup> |
| 5.3. | Structure   | : | <del>diagonal</del> / bias-belted / <del>radial</del>                             |
| 5.4. | Speed Category Symbol :   | : | H   |
| 5.5. | Load-capacity index :   | : | 74  |



P.O. Box 777  
2700 AT Zoetermeer  
The Netherlands

Tel. + 31 (0)79 345 81 43  
Fax + 31 (0)79 345 80 43  
www.rdw.nl

Vehicle Approval and Information

**Approval number : E4-75R- 0010703**

**Extension number : 00**

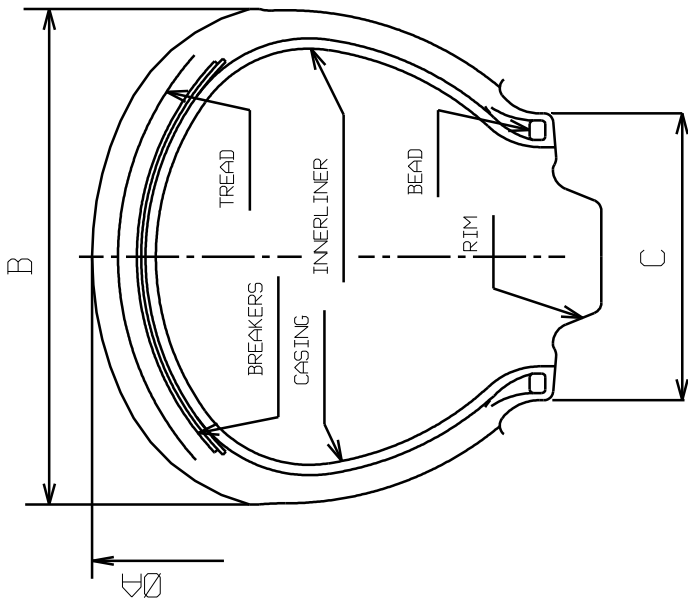
6. Technical Service and, where applicable, test laboratory approved for purposes of approval or of verification of conformity : RDW Vehicle Technology and Information Centre  
P.O. Box 777  
2700 AT ZOETERMEER  
The Netherlands
7. Date of report issued by that service : 02/02/2016
8. Number of report issued by that service : **A5782**
9. Reason(s) of extension (if applicable) : **Not Applicable**
10. Any remarks :  
:
11. Place : Zoetermeer
12. Date : **19-FEB-2016**
13. Signature :

  
Uwe Löbig 

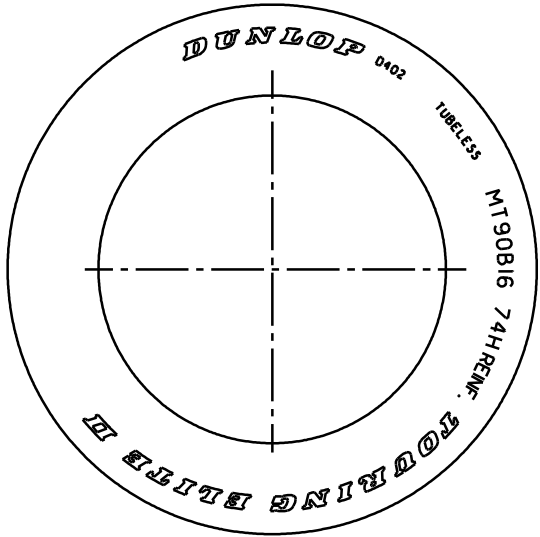
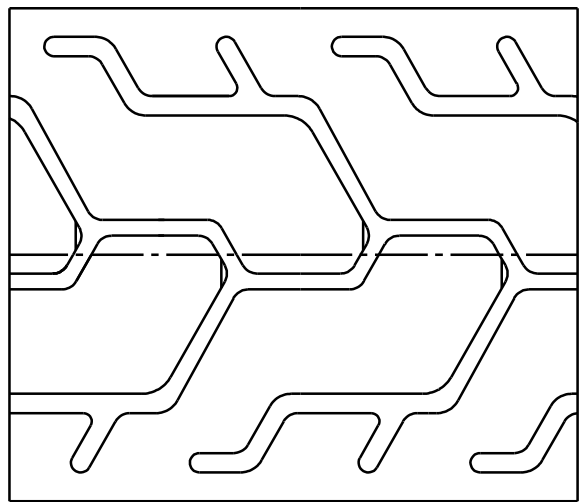
14. The list of documents in the approval file which are deposited at the administrative service having delivered the approval and which can be obtained upon request.
- Application form relating to ECE approval for a pneumatic tyre pursuant to Regulation number 75.
  - The drawing of the tyre's sidewalls, tread and dimensioned cross-section.
  - The test report as mentioned in item 8.

---

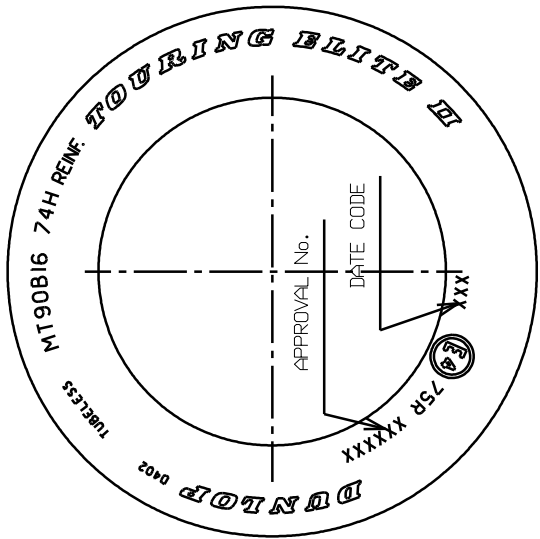
<sup>(1)</sup> Strike out what does not apply.



PROJECTION



2nd SIDEWALL



1st SIDEWALL

MT90B16 REINF.	74	H	X	40	X
	LOAD INDEX	SPEED SYMBOL	NORMAL	SPECIAL	PSI TL TT
TIRE SIZE	650	129	3.00		
D402	A (mm)	B (mm)	C (inch)	REMARKS	
TOURING ELITE II	PLIES			TREAD: POLYESTER/FIBERGLASS	
TREAD PATTERN	SIDEWALL: POLYESTER				

DUNLOP

DATE

NAME

DRAWING No.

TIRE APPLICATION PURSUANT TO ECE R 75

27/01/2016

A. ELICHIRY

TDUM/582