



MODEL KAWASAKI Z 650 / NINJA 650

YEAR 2017

LINE FULL SYSTEM

MUFFLER OVAL CARBON CAP

SCHEMATIC

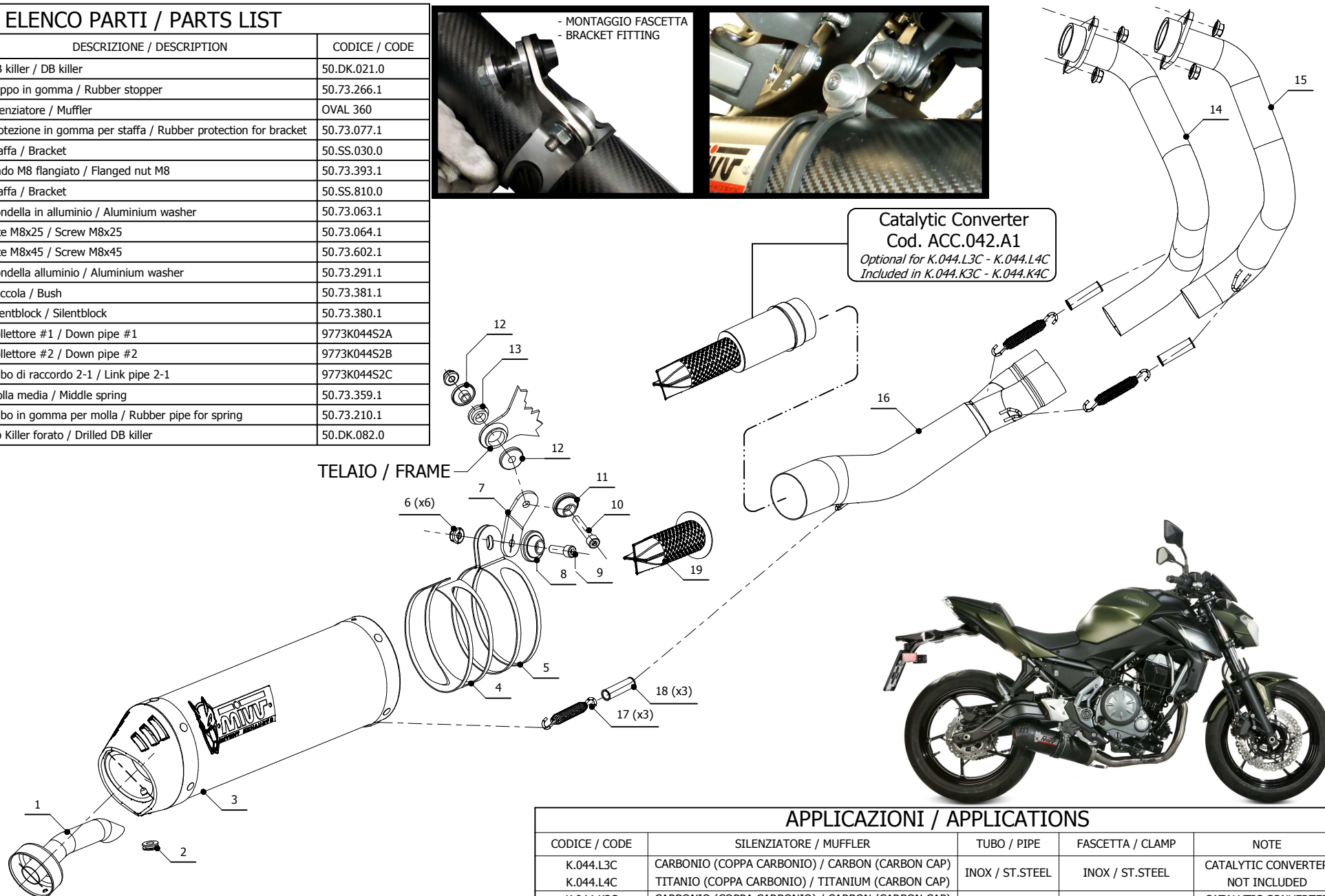
ELENCO PARTI / PARTS LIST

| #  | QTÀ / QTY | DESCRIZIONE / DESCRIPTION                                      | CODICE / CODE |
|----|-----------|--|---------------|
| 1  | 1         | DB killer / DB killer  | 50.DK.021.0   |
| 2  | 1         | Tappo in gomma / Rubber stopper                                | 50.73.266.1   |
| 3  | 1         | Silenziatore / Muffler   | OVAL 360      |
| 4  | 1         | Protezione in gomma per staffa / Rubber protection for bracket | 50.73.077.1   |
| 5  | 1         | Staffa / Bracket   | 50.SS.030.0   |
| 6  | 6         | Dado M8 flangiato / Flanged nut M8                             | 50.73.393.1   |
| 7  | 1         | Staffa / Bracket   | 50.SS.810.0   |
| 8  | 1         | Rondella in alluminio / Aluminium washer                       | 50.73.063.1   |
| 9  | 1         | Vite M8x25 / Screw M8x25                                       | 50.73.064.1   |
| 10 | 1         | Vite M8x45 / Screw M8x45                                       | 50.73.602.1   |
| 11 | 1         | Rondella alluminio / Aluminium washer                          | 50.73.291.1   |
| 12 | 2         | Boccola / Bush   | 50.73.381.1   |
| 13 | 1         | Silentblock / Silentblock                                      | 50.73.380.1   |
| 14 | 1         | Collettore #1 / Down pipe #1                                   | 9773K044S2A   |
| 15 | 1         | Collettore #2 / Down pipe #2                                   | 9773K044S2B   |
| 16 | 1         | Tubo di raccordo 2-1 / Link pipe 2-1                           | 9773K044S2C   |
| 17 | 3         | Molla media / Middle spring                                    | 50.73.359.1   |
| 18 | 3         | Tubo in gomma per molla / Rubber pipe for spring               | 50.73.210.1   |
| 19 | 1         | Db Killer forato / Drilled DB killer                           | 50.DK.082.0   |



- MONTAGGIO FASCETTA  
- BRACKET FITTING

Catalytic Converter  
Cod. ACC.042.A1  
Optional for K.044.L3C - K.044.L4C  
Included in K.044.K3C - K.044.K4C



TELAIO / FRAME



APPLICAZIONI / APPLICATIONS

| CODICE / CODE          | SILENZIATORE / MUFFLER  | TUBO / PIPE     | FASCETTA / CLAMP | NOTE                                |
|------------------------|---|-----------------|------------------|-------------------------------------|
| K.044.L3C<br>K.044.L4C | CARBONIO (COPPA CARBONIO) / CARBON (CARBON CAP)<br>TITANIO (COPPA CARBONIO) / TITANIUM (CARBON CAP) | INOX / ST.STEEL | INOX / ST.STEEL  | CATALYTIC CONVERTER<br>NOT INCLUDED |
| K.044.K3C<br>K.044.K4C | CARBONIO (COPPA CARBONIO) / CARBON (CARBON CAP)<br>TITANIO (COPPA CARBONIO) / TITANIUM (CARBON CAP) | INOX / ST.STEEL | INOX / ST.STEEL  | CATALYTIC CONVERTER<br>INCLUDED     |