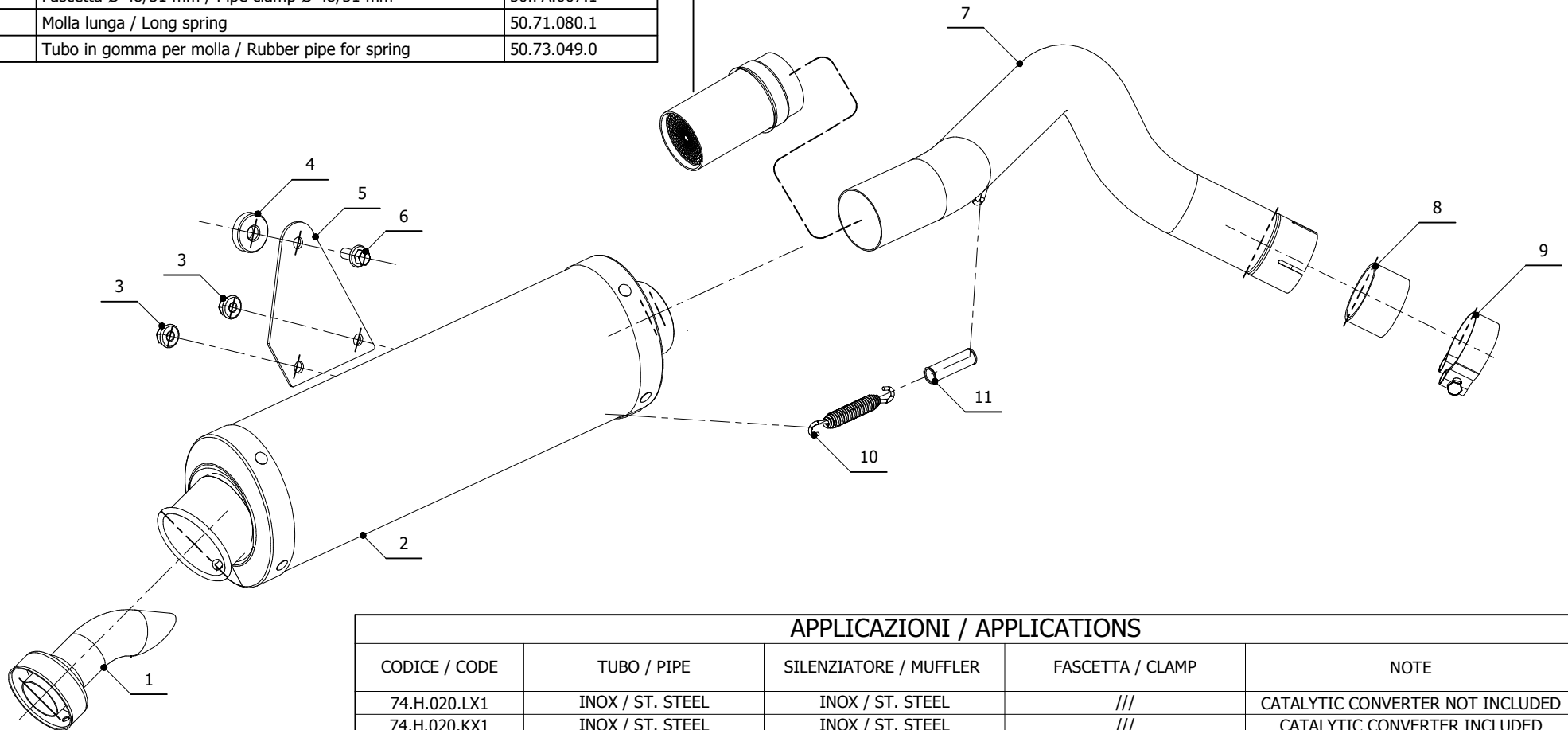
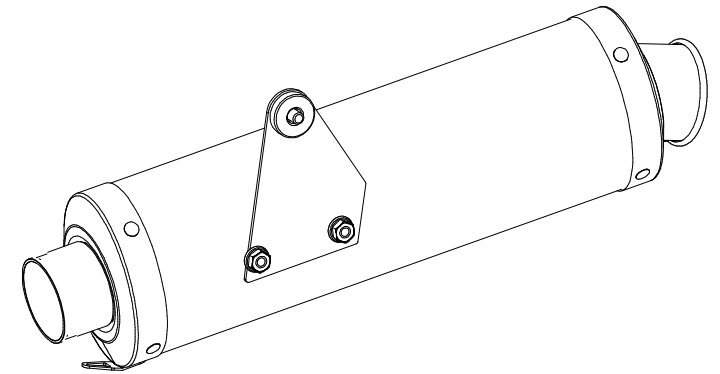


ELENCO PARTI / PARTS LIST

| # | QTÀ / QTY | DESCRIZIONE / DESCRIPTION | CODICE / CODE |
|----|-----------|--|----------------|
| 1 | 1 | DB killer / DB killer | 50.DK.020.0 |
| 2 | 1 | Silenziatore / Muffler | OVAL |
| 3 | 2 | Dado M8 flangiato / Flanged nut M8 | 50.73.052.1 |
| 4 | 1 | Distanziale in alluminio / Aluminium spacer(Øe.30 Øi.10,5 h.8) | 50.SS.061.1 |
| 5 | 1 | Staffa / Bracket | 50.SS.059.1 |
| 6 | 1 | Vite M8x16 / Screw M8x16 | 50.73.006.1 |
| 7 | 1 | Tubo di raccordo / Link pipe | 9773H020S2 |
| 8 | 1 | Guarnizione in grafite / Graphite bush | 50.72.43.49.29 |
| 9 | 1 | Fascetta Ø 48/51 mm / Pipe clamp Ø 48/51 mm | 50.FA.007.1 |
| 10 | 1 | Molla lunga / Long spring | 50.71.080.1 |
| 11 | 1 | Tubo in gomma per molla / Rubber pipe for spring | 50.73.049.0 |

Catalytic Converter
Cod. ACC.033.A1
Optional for H.020.LX1
Included in H.020.KX1



APPLICAZIONI / APPLICATIONS

| CODICE / CODE | TUBO / PIPE | SILENZIATORE / MUFFLER | FASCETTA / CLAMP | NOTE |
|---------------|------------------|------------------------|------------------|----------------------------------|
| 74.H.020.LX1 | INOX / ST. STEEL | INOX / ST. STEEL | /// | CATALYTIC CONVERTER NOT INCLUDED |
| 74.H.020.KX1 | INOX / ST. STEEL | INOX / ST. STEEL | /// | CATALYTIC CONVERTER INCLUDED |