

## DRY BATTERY

DRY | CONVENTIONAL

REF **51814**



- 12V** VOLTAGE - V
- 210A** CCA - A
- 19Ah** CAPACITY - Ah (20Hr)

### TECHNOLOGY

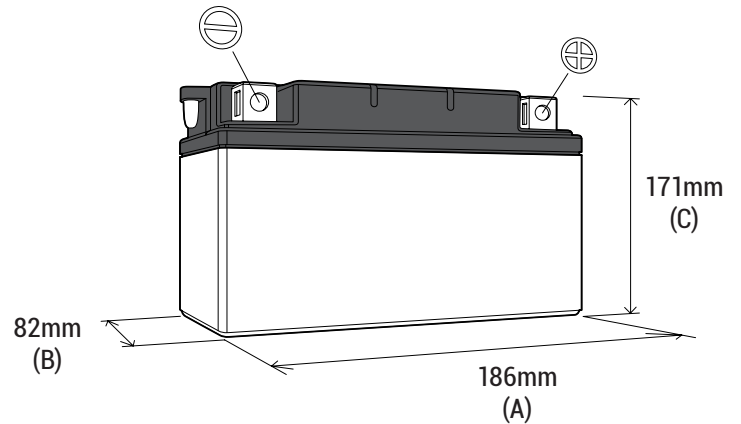
- Lead acid dry charged construction (absorbed acid)
- No acid in cells, must be filled with acid before use
- 6 & 12V batteries

### FEATURES

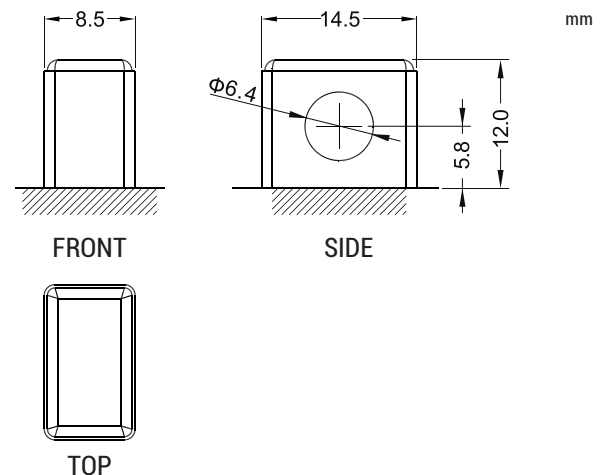
- Upright installation only
- Has to be checked periodically and refilled with water if necessary
- Internal gas emission through venting hole
- Handle with care to prevent acid spillage
- Regular life duration
- Does not need to be recharged while stocked

### DIMENSIONS

Length (A) :	186±2mm
Width (B) :	82±2mm
Container height :	171±2mm
Total height (C) :	171±2mm



### TERMINALS



### UPGRADE FOR

### WEIGHT

Battery (with acid) : Approx 5.90kg

### MOUNTING ANGLE

