



RDW

Vehicle Technology Division



THE NETHERLANDS  
(N E D E R L A N D)



COMMUNICATION

Concerning <sup>(1)</sup> :

- ~~- approval granted~~
- approval extended
- ~~- approval refused~~
- ~~- approval withdrawn~~
- ~~- production definitely discontinued~~

of a type of pneumatic tyre for motor cycles and mopeds pursuant to Regulation number 75.

**Approval number : E4-75R- 0010018**

**Extension number : 01**

Approval mark :



**75R- 0010018**

- |      |                                                                                                |   |                                                                                  |
|------|------------------------------------------------------------------------------------------------|---|----------------------------------------------------------------------------------|
| 1.   | Manufacturer's name or trade mark(s)<br>on the tyre type                                       | : | DUNLOP                                                                           |
| 2.   | Tyre type designation by the manufacturer                                                      | : | SCOOTSMART                                                                       |
| 3.   | Manufacturer's name and address                                                                | : | Goodyear Dunlop Tires France.<br>8 rue Lionel Terray<br>F- 92500 RUEIL-MALMAISON |
| 4.   | If applicable, name and address of the<br>manufacturer's representative                        | : |                                                                                  |
| 5.   | Summarised description                                                                         |   |                                                                                  |
| 5.1. | Tyre size designation                                                                          | : | 140/60 - 13 M/C 57P                                                              |
| 5.2. | Category of use                                                                                | : | <del>ordinary/snow/special/moped/All Terrain (AT)</del> <sup>(4)</sup>           |
| 5.3. | Structure                                                                                      | : | <del>diagonal/bias belted/radial</del>                                           |
| 5.4. | Speed Category Symbol :                                                                        | : | P                                                                                |
| 5.5. | Load-capacity index :                                                                          | : | 57                                                                               |
| 5.6. | For All Terrain (AT) tyres, the symbol (stars)<br>identifying the reference inflation pressure | : |                                                                                  |



P.O. Box 777                      Tel. + 31 (0)79 345 81 43  
 2700 AT Zoetermeer            Fax + 31 (0)79 345 80 43  
 The Netherlands                www.rdw.nl

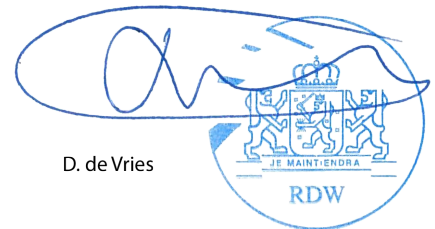
*Vehicle Admission & Surveillance*

**Approval number : E4-75R- 0010018**

**Extension number : 01**

6. Technical Service and, where applicable, test laboratory approved for purposes of approval or of verification of conformity : RDW Vehicle Technology and Information Centre  
P.O. Box 777  
2700 AT ZOETERMEER  
The Netherlands
7. Date of report issued by that service : **29-juil-16**
8. Number of report issued by that service : **A6183**
9. Reason(s) of extension (if applicable) : **Nylon plies in place of Polyester plies**
10. Any remarks :  
:
11. Place : Zoetermeer
12. Date : **05-DEC-2016**
13. Signature :

D. de Vries



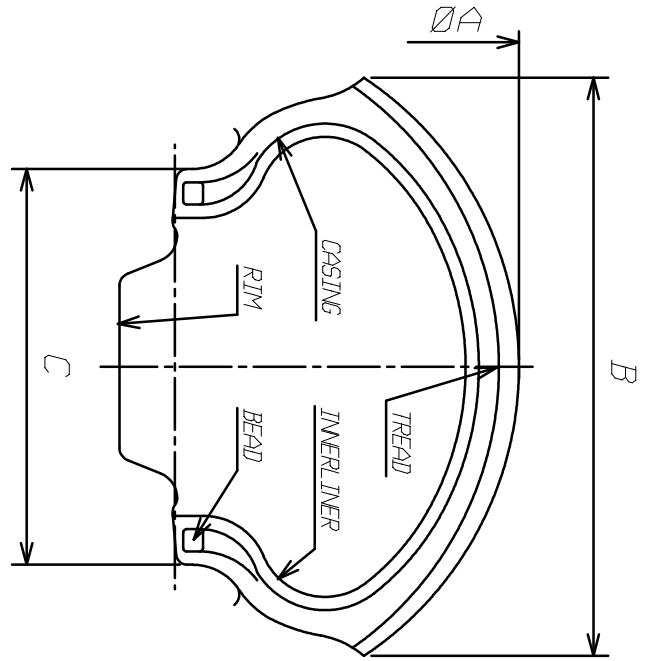
14. Annexed to this communication is a list of documents in the approval file deposited at the Administrative Services having delivered the approval and which can be obtained upon request.

- Application form relating to ECE approval for a pneumatic tyre pursuant to Regulation number 75.
- The drawing of the tyre's sidewalls, tread and dimensioned cross-section.
- The test report as mentioned in item 8.

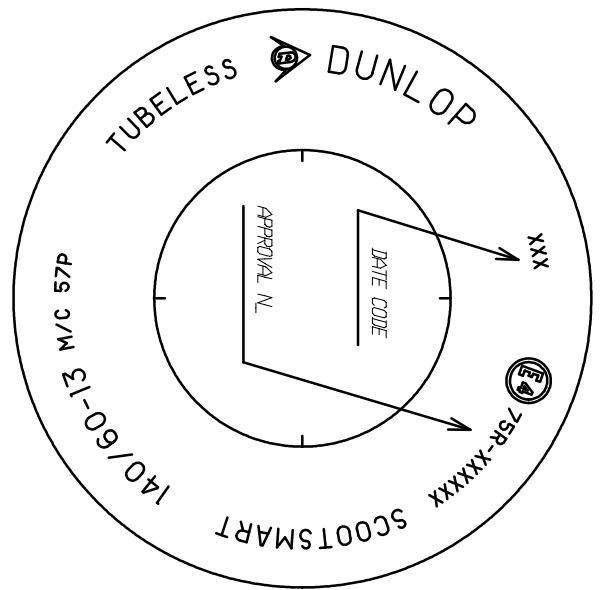
---

<sup>(1)</sup> Strike out what does not apply.

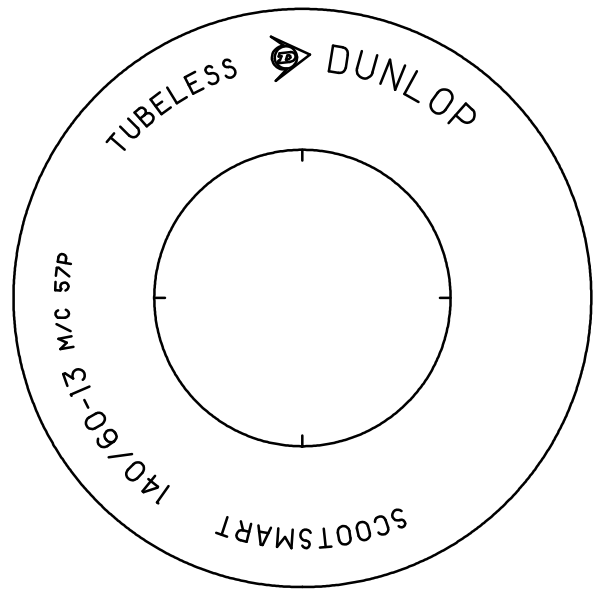
TDUM/477	ELICHIRY	11/07/12	TYRE APPLICATION PURSUANT TO ECE R 75
DRAWING	NAME	DATE	DUNLOP



PROJECTION



1st SIDEWALL



2nd SIDEWALL



140/60 - 13 M/C		57	P	X		33	X	
TYRE SIZE		LOAD INDEX	SPEED SYMBOL	NORMAL	SPECIAL	PSI	TL	TT
SCOOTSMART		498	139					
TREAD PATTERN		A (mm)	B (mm)	C (inch)	REMARKS			
		TREAD : NYLON						
		SIDEWALL : NYLON						