



RDW

Division Vehicle Regulation & Admission



THE NETHERLANDS  
( N E D E R L A N D )



COMMUNICATION

Concerning <sup>(1)</sup> :

- approval granted
- ~~- approval extended~~
- ~~- approval refused~~
- ~~- approval withdrawn~~
- ~~- production definitely discontinued~~

of a type of tyre for motor cycles and mopeds pursuant to Regulation number 75.

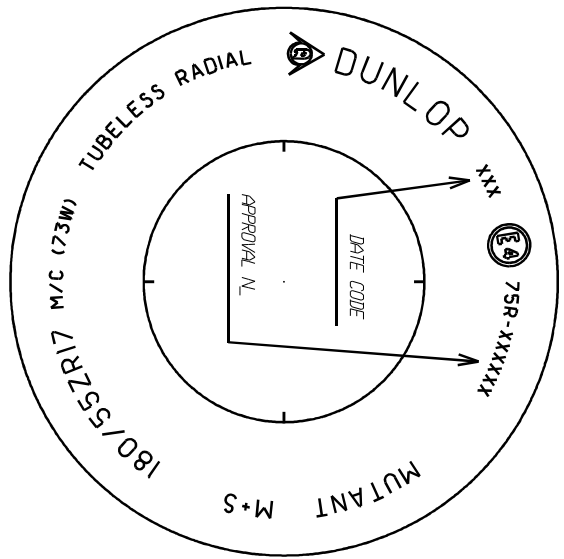
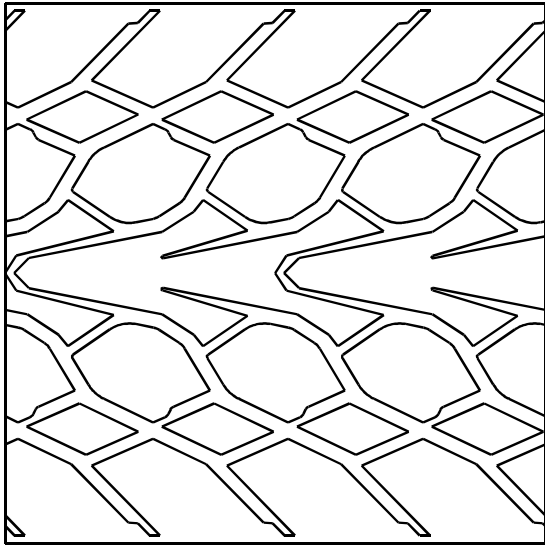
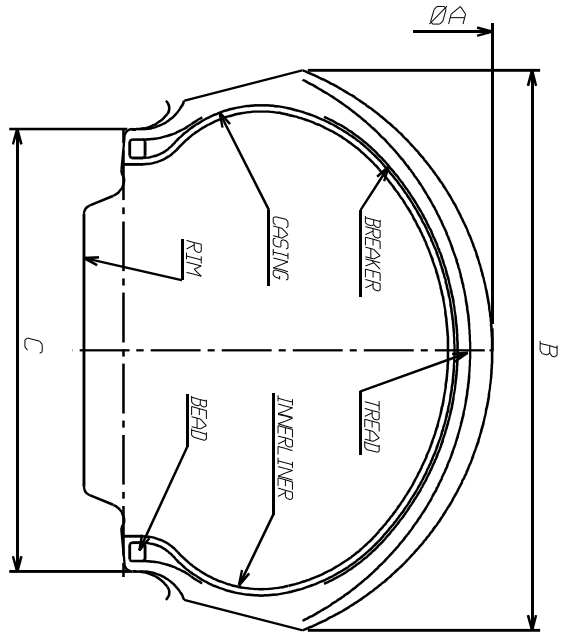
**Approval number : E4\*75R00/17\*14031\*00**

- |      |                                                                                             |   |                                                                                                         |
|------|---------------------------------------------------------------------------------------------|---|---------------------------------------------------------------------------------------------------------|
| 1.   | Manufacturer's name and address                                                             | : | Goodyear France<br>Tour First - 1, Place des Saisons<br>F-92400 Courbevoie Paris La Défense 1<br>France |
| 2.   | Tyre type designation <sup>(2)</sup>                                                        |   |                                                                                                         |
| 2.1. | Brand name(s)/trademark(s)                                                                  | : | DUNLOP                                                                                                  |
| 2.2. | Trade description(s)/commercial name(s)                                                     | : | MUTANT                                                                                                  |
| 3.   | If applicable, name and address of the manufacturer's representative                        | : |                                                                                                         |
| 4.   | Summarised description                                                                      |   |                                                                                                         |
| 4.1. | Tyre size designation                                                                       | : | 180/55 ZR 17                                                                                            |
| 4.2. | Category of use                                                                             | : | <del>normal/snow/moped</del> /All Terrain (AT)/special <sup>(1)</sup>                                   |
| 4.3. | Structure                                                                                   | : | <del>diagonal/bias belted</del> /radial                                                                 |
| 4.4. | Speed category symbol                                                                       | : | W                                                                                                       |
| 4.5. | Load-capacity index :                                                                       | : | 73                                                                                                      |
| 4.6. | For All Terrain (AT) tyres, the symbol (stars) identifying the reference inflation pressure | : |                                                                                                         |

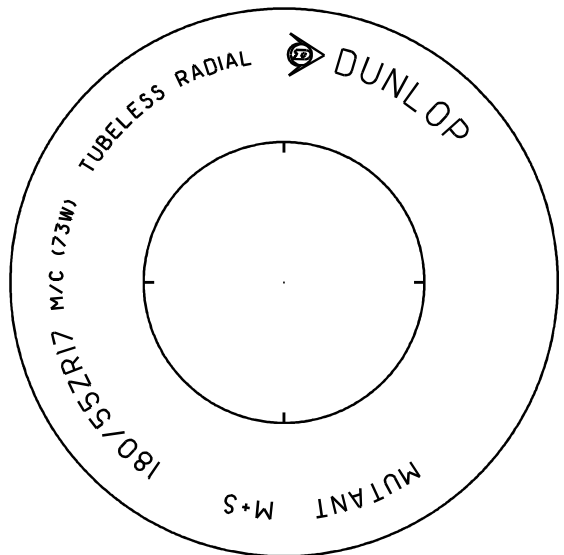




TDUM/656	JL. FAURE	26/09/2019	TYRE APPLICATION PURSUANT TO ECE R 75
DRAWING	NAME	DATE	DUNLOP



1st SIDEWALL



2nd SIDEWALL



180/55 ZR 17		73	(W)			42	X	
TYRE SIZE	630	LOAD INDICE	SPEED SYMBOL	NORMAL	SNOW SPECIAL	PSI	TL	TT
MUTANT	A (mm)	B (mm)	C (inch)	REMARKS				
TREAD PATTERN	PLIES		TREAD : RAYON + STEEL		SIDEWALL : RAYON			