



THE NETHERLANDS
(N E D E R L A N D)



COMMUNICATION

Concerning ⁽¹⁾ :

- ~~approval granted~~
- approval extended
- ~~approval refused~~
- ~~approval withdrawn~~
- ~~production definitely discontinued~~

of a type of pneumatic tyre for motor cycles and mopeds pursuant to Regulation number 75.

Approval number : E4-75R- 0007767

Extension number : 01

Approval mark :



75R- 0007767

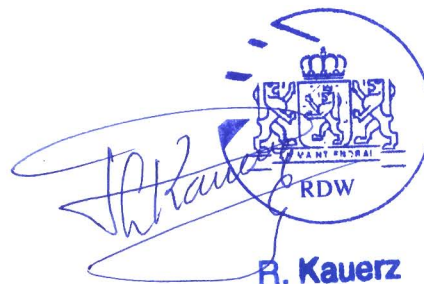
- | | | | |
|------|---|---|--|
| 1. | Manufacturer's name or trade mark(s)
on the tyre type | : | DUNLOP |
| 2. | Tyre type designation by the manufacturer | : | SCOOTSMART |
| 3. | Manufacturer's name and address | : | Goodyear Dunlop Tires France.
8 rue Lionel Terray
F- 92500 RUEIL-MALMAISON |
| 4. | If applicable, name and address of the
manufacturer's representative | : | |
| 5. | Summarised description | | |
| 5.1. | Tyre size designation | : | 120/70 - 14 M/C 55S |
| 5.2. | Category of use | : | ordinary / snow / special / moped ^(††) |
| 5.3. | Structure | : | diagonal / bias-belted / radial |
| 5.4. | Speed Category Symbol : | : | S |
| 5.5. | Load-capacity index : | : | 55 |



Approval number : E4-75R- 0007767

Extension number : 01

6. Technical Service and, where applicable, test laboratory approved for purposes of approval or of verification of conformity : RDW Vehicle Technology and Information Centre
P.O. Box 777
2700 AT ZOETERMEER
The Netherlands
7. Date of report issued by that service : 22 May 2014
8. Number of report issued by that service : **A4255**
9. Reason(s) of extension (if applicable) : **Polyester ply ipo Nylon**
10. Any remarks :
:
11. Place : Zoetermeer
12. Date : **08-JUL-2014**
13. Signature :



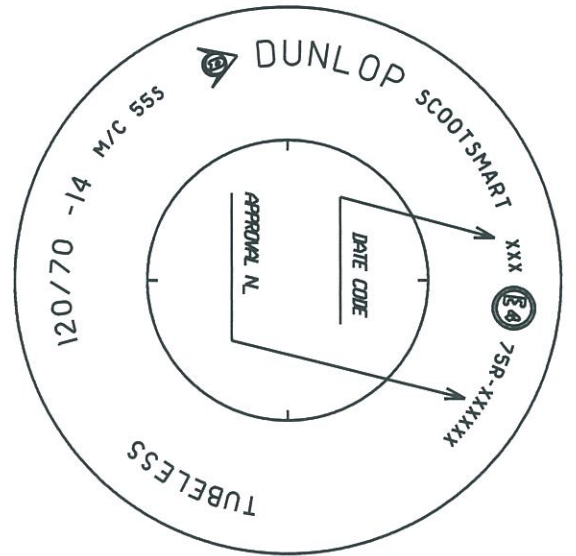
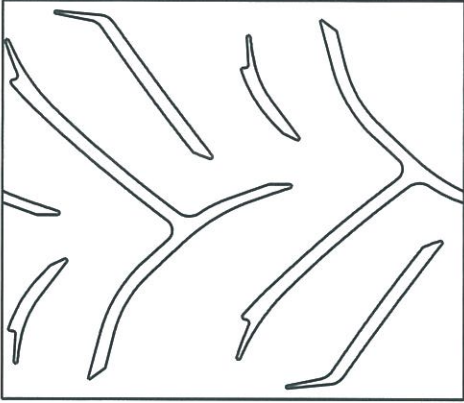
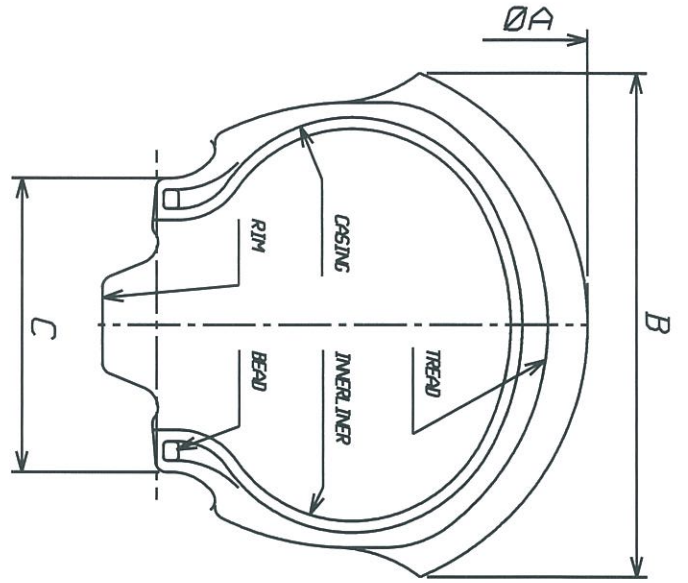
The image shows a blue ink signature of R. Kauerz written over a circular stamp. The stamp features the RDW logo, which includes a crown and two lions holding a shield, with the text 'RDW' below it. The signature is written in a cursive style.

14. The list of documents in the approval file which are deposited at the administrative service having delivered the approval and which can be obtained upon request.

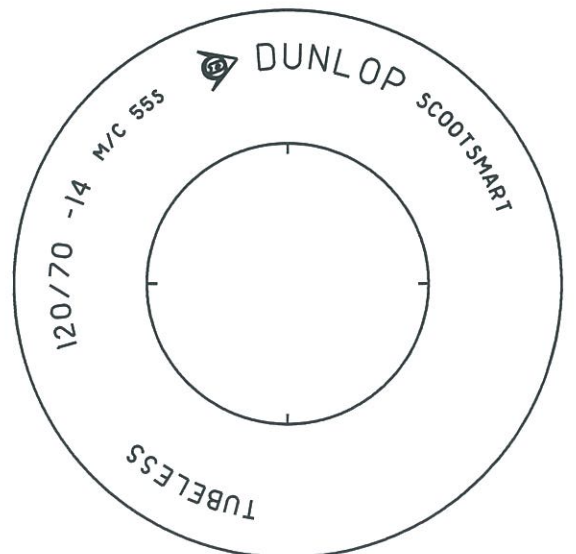
- Application form relating to ECE approval for a pneumatic tyre pursuant to Regulation number 75.
- The drawing of the tyre's sidewalls, tread and dimensioned cross-section.
- The test report as mentioned in item 8.

⁽¹⁾ Strike out what does not apply.

TDUM/527	ELICHIRY	18/06/14	TYRE APPLICATION PURSUANT TO ECE R 75
DRAWING	NAME	DATE	DUNLOP



1st SIDEWALL



2nd SIDEWALL



120/70-14 M/C		55	S	X		36	X	
TYRE SIZE	524	LOAD INDICE	SPEED SYMBOL	NORMA	SPECIAL	PSI	TL	TT
SCOOTSMART								
TREAD PATTERN		PLIES		TREAD : POLYESTER				
				SIDEWALL : POLYESTER				