



THE NETHERLANDS  
(N E D E R L A N D)



COMMUNICATION

Concerning <sup>(1)</sup> :

- ~~-approval granted~~
- approval extended
- ~~-approval refused~~
- ~~-approval withdrawn~~
- ~~-production definitely discontinued~~

of a type of pneumatic tyre for motor cycles and mopeds pursuant to Regulation number 75.

**Approval number : E4-75R- 0006422**

**Extension number : 01**

Approval mark :



**75R- 0006422**

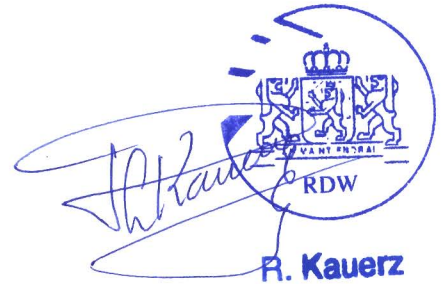
- |      |   |   |  |
|------|---|---|--|
| 1.   | Manufacturer's name or trade mark(s)<br>on the tyre type                | : | DUNLOP   |
| 2.   | Tyre type designation by the manufacturer                               | : | SCOOTSMART   |
| 3.   | Manufacturer's name and address   | : | Goodyear Dunlop Tires France.<br>8 rue Lionel Terray<br>F- 92500 RUEIL-MALMAISON |
| 4.   | If applicable, name and address of the<br>manufacturer's representative | : |  |
| 5.   | Summarised description  |   |  |
| 5.1. | Tyre size designation   | : | 150/70 - 14 M/C 66S  |
| 5.2. | Category of use   | : | ordinary / snow / <del>special</del> / moped <sup>(+)</sup>                      |
| 5.3. | Structure   | : | diagonal / <del>bias-belted</del> / radial                                       |
| 5.4. | Speed Category Symbol :   | : | S  |
| 5.5. | Load-capacity index :   | : | 66   |



**Approval number : E4-75R- 0006422**

**Extension number : 01**

6. Technical Service and, where applicable, test laboratory approved for purposes of approval or of verification of conformity : RDW Vehicle Technology and Information Centre  
P.O. Box 777  
2700 AT ZOETERMEER  
The Netherlands
7. Date of report issued by that service : 15 May 2014
8. Number of report issued by that service : **A4262**
9. Reason(s) of extension (if applicable) : **Polyester ply ipo Nylon**
10. Any remarks :  
:
11. Place : Zoetermeer
12. Date : **08-JUL-2014**
13. Signature :



**R. Kauertz**

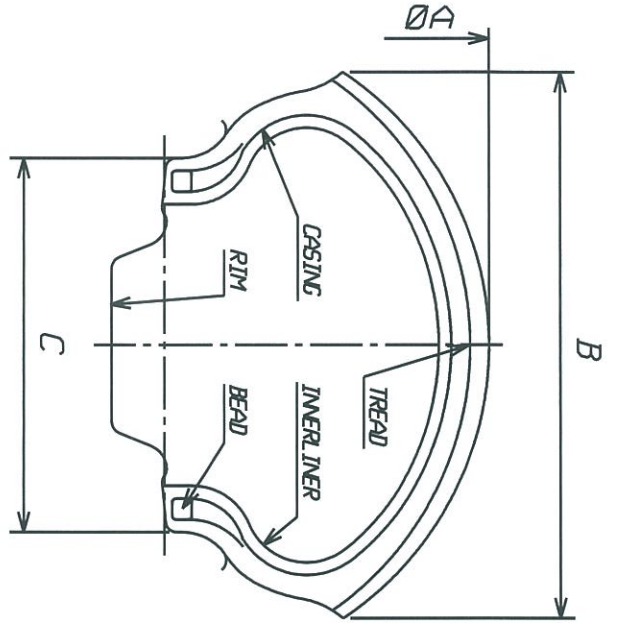
14. The list of documents in the approval file which are deposited at the administrative service having delivered the approval and which can be obtained upon request.

- Application form relating to ECE approval for a pneumatic tyre pursuant to Regulation number 75.
- The drawing of the tyre's sidewalls, tread and dimensioned cross-section.
- The test report as mentioned in item 8.

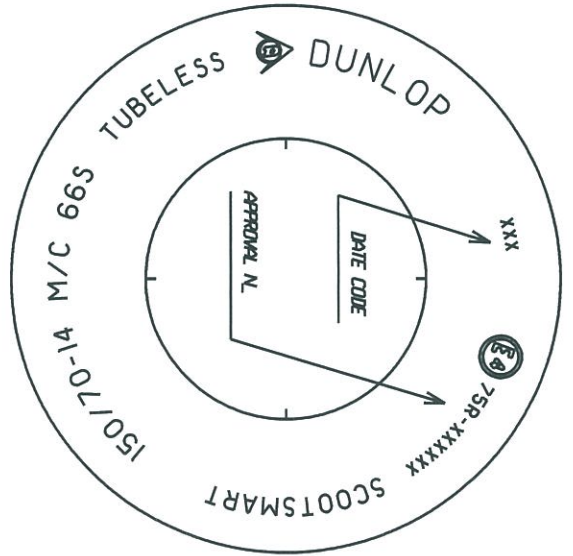
---

<sup>(1)</sup> Strike out what does not apply.

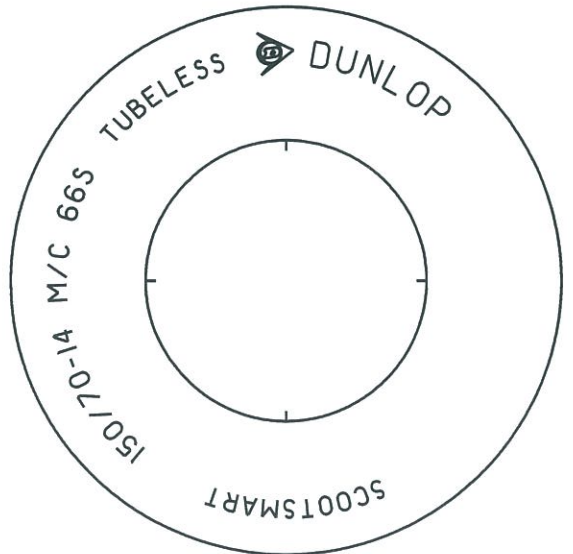
TDUM/529	ELICHIRY	18/06/14	TYRE APPLICATION PURSUANT TO ECE R 75
DRAWING	NAME	DATE	DUNLOP



PROJECTION



1st SIDEWALL



2nd SIDEWALL



150/70 - 14 M/C		66	S	X		33	X	
TYRE SIZE	566	LOAD INDICE	SPEED SYMBOL	NORMAL	SPECIAL	PSI	TL	TT
SCOOTSMART								
TREAD PATTERN		PLIES		TREAD : POLYESTER		SIDEWALL : POLYESTER		