



RDW

Division Vehicle Regulation & Admission



THE NETHERLANDS
(N E D E R L A N D)



COMMUNICATION

Concerning ⁽¹⁾ :

- approval granted
- ~~- approval extended~~
- ~~- approval refused~~
- ~~- approval withdrawn~~
- ~~- production definitely discontinued~~

of a type of tyre for motor cycles and mopeds pursuant to Regulation number 75.

Approval number : E4*75R00/17*12037*00

Correction number : 01

- | | | | |
|------|---|---|---|
| 1. | Manufacturer's name and address | : | Goodyear France
Tour First - 1, Place des Saisons
F-92400 Courbevoie Paris La Défense 1
France |
| 2. | Tyre type designation ⁽²⁾ | | |
| 2.1. | Brand name(s)/trademark(s) | : | DUNLOP |
| 2.2. | Trade description(s)/commercial name(s) | : | MERIDIAN |
| 3. | If applicable, name and address of the manufacturer's representative | : | |
| 4. | Summarised description | | |
| 4.1. | Tyre size designation | : | 170/60 ZR 17 |
| 4.2. | Category of use | : | normal/snow/moped/All Terrain (AT)/special ⁽¹⁾ |
| 4.3. | Structure | : | diagonal/bias belted /radial |
| 4.4. | Speed category symbol | : | W |
| 4.5. | Load-capacity index : | : | 72 |
| 4.6. | For All Terrain (AT) tyres, the symbol (stars) identifying the reference inflation pressure | : | |



Approval number : E4*75R00/17*12037*00

Correction number : 01

5. Technical service and, where applicable, test laboratory approved for purposes of approval or of verification of conformity : **Goodyear S.A.
Avenue Gordon Smith
L-7750 Colmar-Berg
Luxembourg**
6. Date of report issued by that service : **15 May 2019**
7. Number of report issued by that service : **A8522**
8. Reason(s) of extension (if applicable) : **Not Applicable**
9. Any remarks : **Correction 01 is about new tread pattern**
:
10. Place : Zoetermeer
11. Date : **03 October 2018**
12. Signature :


Uwe Löbig



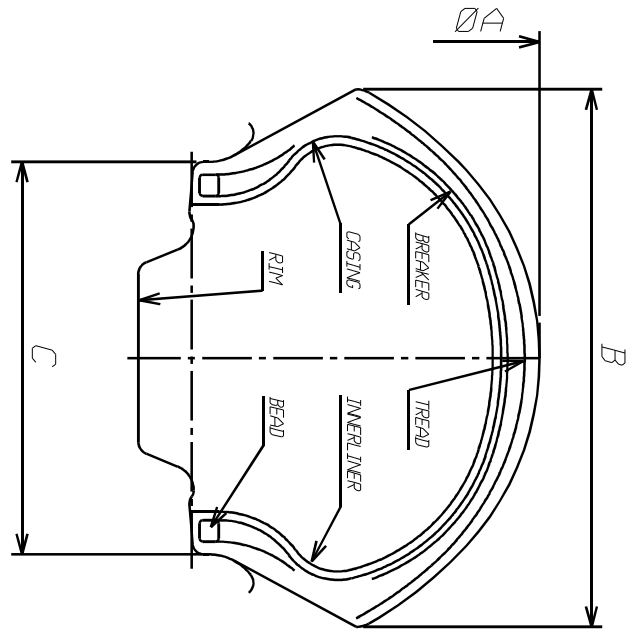
13. Annexed to this communication is a list of documents in the approval file deposited at the Administrative Services having delivered the approval and which can be obtained upon request.

- Application form relating to ECE approval for a pneumatic tyre pursuant to Regulation number 75.
- The drawing of the tyre's sidewalls, tread and dimensioned cross-section.
- The test report as mentioned in item 7.

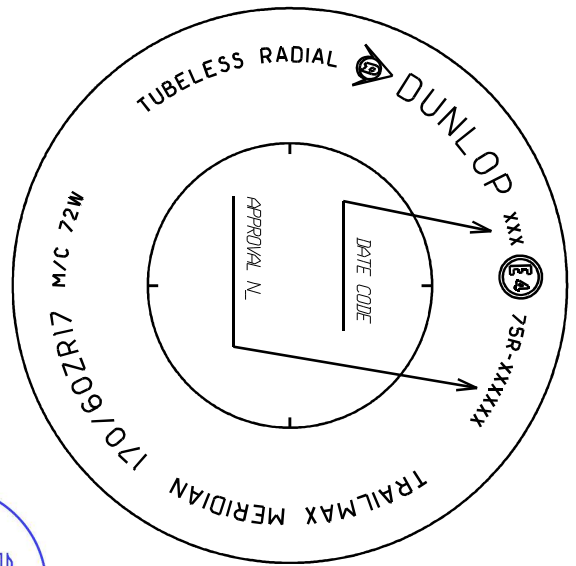
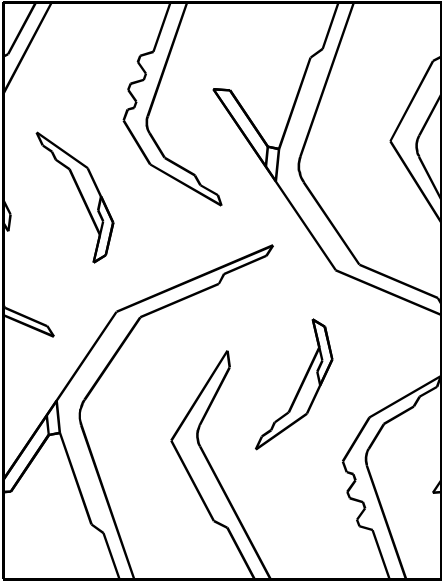
⁽¹⁾ Strike out what does not apply.

⁽²⁾ A list of brand name(s)/trademark(s) or trade description(s)/commercial name(s) may be annexed to this communication.

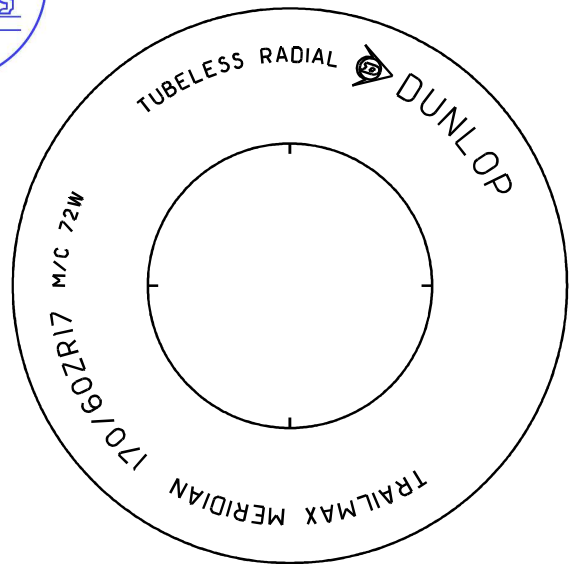
TDUM/644	A. ELICHIRY	30/01/19	TYRE APPLICATION PURSUANT TO ECE R 75
DRAWING	NAME	DATE	DUNLOP



PROJECTION



1st SIDEWALL



2nd SIDEWALL

170/60 ZR 17		72	W	X		42	X	
TYRE SIZE		LOAD INDICE	SPEED SYMBOL	NORMAL	SPECIAL	PSI	TL	TT
TRAILMAX MERIDIAN		636	168	4.50				
TREAD PATTERN		A (mm)	B (mm)	C (inch)	REMARKS			
TREAD PATTERN		PLIES		TREAD : RAYON + STEEL		SIDEWALL : RAYON		