



RDW

Vehicle Technology Division



THE NETHERLANDS
(N E D E R L A N D)



COMMUNICATION

Concerning ⁽¹⁾ :

- ~~- approval granted~~
- approval extended
- ~~- approval refused~~
- ~~- approval withdrawn~~
- ~~- production definitely discontinued~~

of a type of pneumatic tyre for motor cycles and mopeds pursuant to Regulation number 75.

Approval number : E4-75R- 0007705

Extension number : 02

Approval mark :



75R- 0007705

- | | | | |
|------|---|---|---|
| 1. | Manufacturer's name or trade mark(s)
on the tyre type | : | DUNLOP |
| 2. | Tyre type designation by the manufacturer | : | STREETSMART |
| 3. | Manufacturer's name and address | : | Goodyear Dunlop Tires France.
8 rue Lionel Terray
F- 92500 RUEIL-MALMAISON |
| 4. | If applicable, name and address of the
manufacturer's representative | : | |
| 5. | Summarised description | | |
| 5.1. | Tyre size designation | : | 100/90 - 18 M/C 56V |
| 5.2. | Category of use | : | ordinary / snow / special / moped ⁽⁴⁾ |
| 5.3. | Structure | : | diagonal / bias belted / radial |
| 5.4. | Speed Category Symbol : | : | V |
| 5.5. | Load-capacity index : | : | 56 |



P.O. Box 777
2700 AT Zoetermeer
The Netherlands

Tel. + 31 (0)79 345 81 43
Fax + 31 (0)79 345 80 43
www.rdw.nl

Vehicle Approval and Information

Page 1 of 2

Approval number : E4-75R- 0007705

Extension number : 02

6. Technical Service and, where applicable, test laboratory approved for purposes of approval or of verification of conformity : RDW Vehicle Technology and Information Centre
P.O. Box 777
2700 AT ZOETERMEER
The Netherlands
7. Date of report issued by that service : 19 Feb 2015
8. Number of report issued by that service : **A4865**
9. Reason(s) of extension (if applicable) : **Polyester plies in place of Nylon plies**
10. Any remarks :
:
11. Place : Zoetermeer
12. Date : **20-APR-2015**
13. Signature :

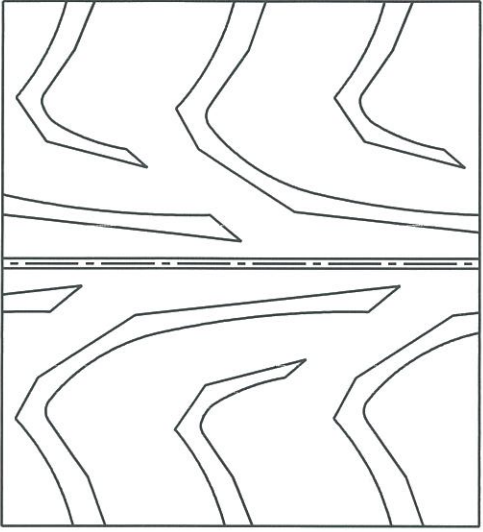
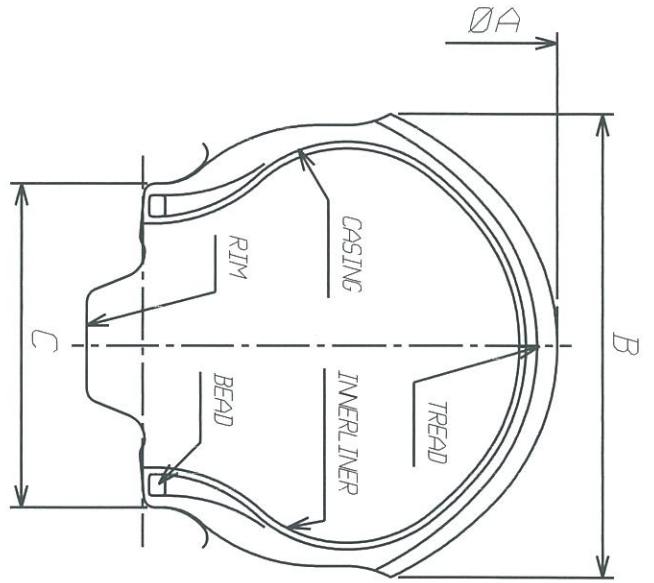


R.F.R. Clement

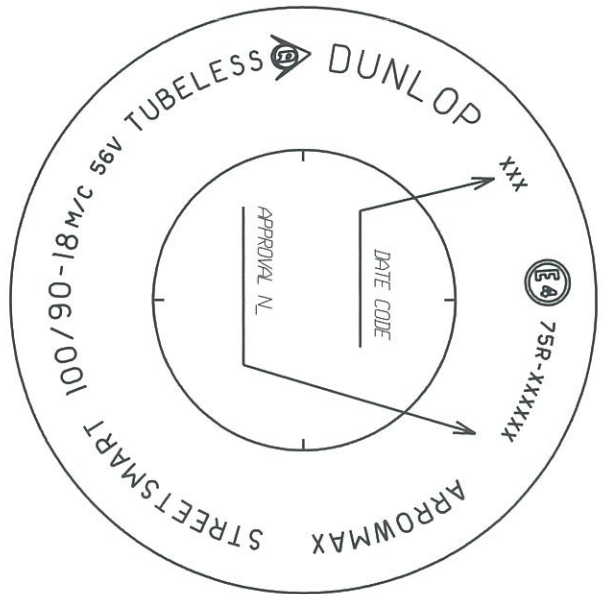
14. The list of documents in the approval file which are deposited at the administrative service having delivered the approval and which can be obtained upon request.
- Application form relating to ECE approval for a pneumatic tyre pursuant to Regulation number 75.
 - The drawing of the tyre's sidewalls, tread and dimensioned cross-section.
 - The test report as mentioned in item 8.

⁽¹⁾ Strike out what does not apply.

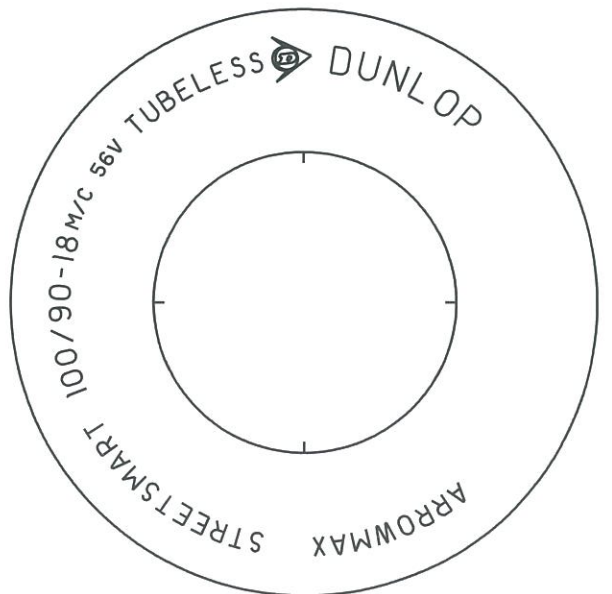
TDUM/560	ROSSIGNAUD	18/02/2015	TYRE APPLICATION PURSUANT TO ECE R 75
DRAWING	NAME	DATE	DUNLOP



PROJECTION



1st SIDEWALL



2nd SIDEWALL



TYRE SIZE	100/90 - 18		LOAD INDEX	56	SPEED SYMBOL	V	NORMAL	X	SPECIAL	42	PSI	X	TT
	TYRE SIZE	ARROWMAX STREETSMART		637		101		2.50					
TREAD PATTERN	ARROWMAX STREETSMART		A (mm)	B (mm)	C (inch)	TREAD : POLYESTER		REMARKS					
TREAD PATTERN	TREAD PATTERN		PLIES		TREAD : POLYESTER		SIDEWALL : POLYESTER						