



MODEL YAMAHA YZF R25 - YZF R3

YEAR 2015-

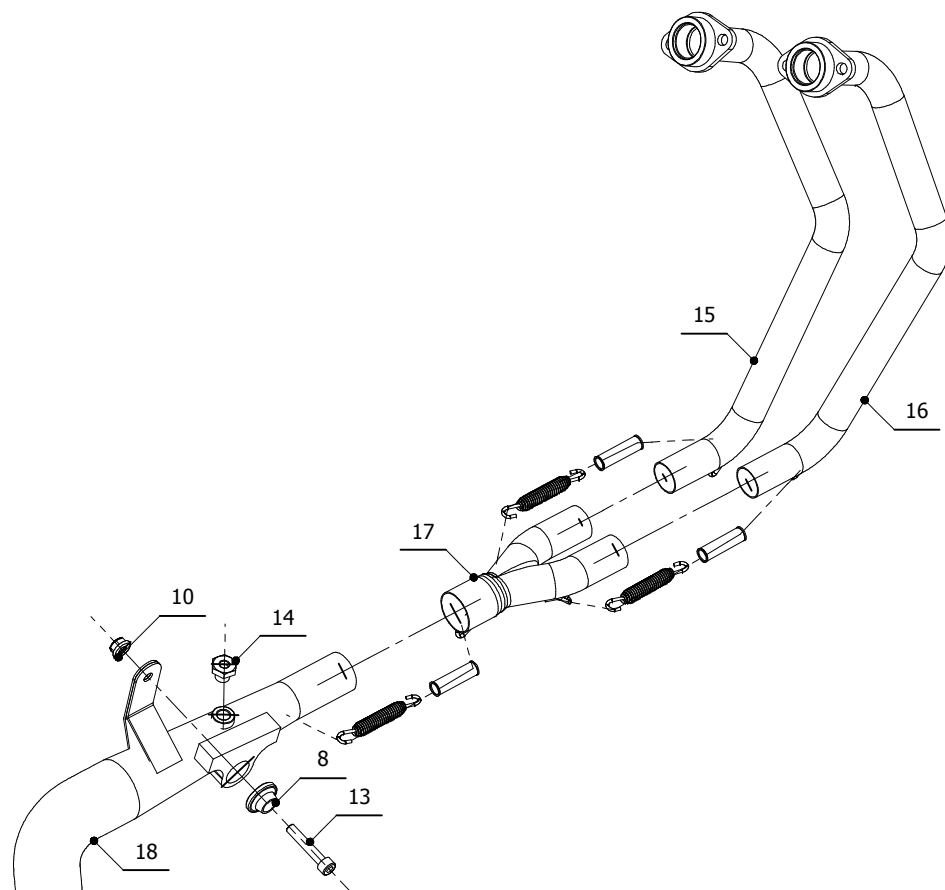
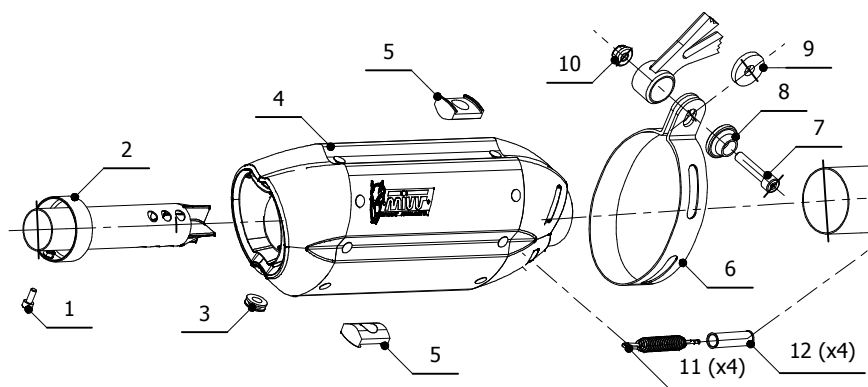
LINE POWER

MUFFLER SUONO

SCHEMATIC

ELENCO PARTI / PARTS LIST

#	QTÀ / QTY	DESCRIZIONE / DESCRIPTION	CODICE / CODE
1	1	Vite M5x12 / Screw M5 x 12	50.73.628.1
2	1	DB killer / DB killer	50.DK.070.0
3	1	Tappo in gomma / Rubber stopper	50.73.266.1
4	1	Silenziatore / Muffler	SUONO 200
5	2	Tassello grande / Rubber big block	50.73.203.1
6	1	Staffa in carbonio / Carbon fiber bracket	50.SS.180.1
7	1	Vite M8x40 / Screw M8x40	50.73.075.1
8	2	Rondella in alluminio nera / Black aluminium washer	50.73.221.1
9	1	Rondella in gomma / Rubber washer	50.73.227.1
10	2	Dado M8 flangiato / Flanged nut M8	50.73.393.1
11	4	Molla media / Middle spring	50.73.359.1
12	4	Tubo in gomma per molla / Rubber pipe for spring	50.73.210.1
13	1	Vite M8x45 / Screw M8x45	50.73.602.1
14	1	Tappo per sonda lambda / Stopper for lambda probe	50.73.111.1
15	1	Collettore #1 / Down pipe #1	97XYA0008A
16	1	Collettore #2 / Down pipe #2	97XYA0008B
17	1	Tubo di raccordo 2-1 / Link pipe 2-1	97XYA0008C
18	1	Tubo di raccordo / Link pipe	97XYA0008D



APPLICAZIONI / APPLICATIONS

CODICE / CODE	SILENZIATORE / MUFFLER	TUBO / PIPE	FASCETTA / CLAMP
00.X.YA.0008.S7	INOX (COPPE CARBONIO) / ST. STEEL (CARBON CAPS)	INOX / ST.STEEL	CARBONIO / CARBON FIBER
00.X.YA.0008.S9	STEEL BLACK		

