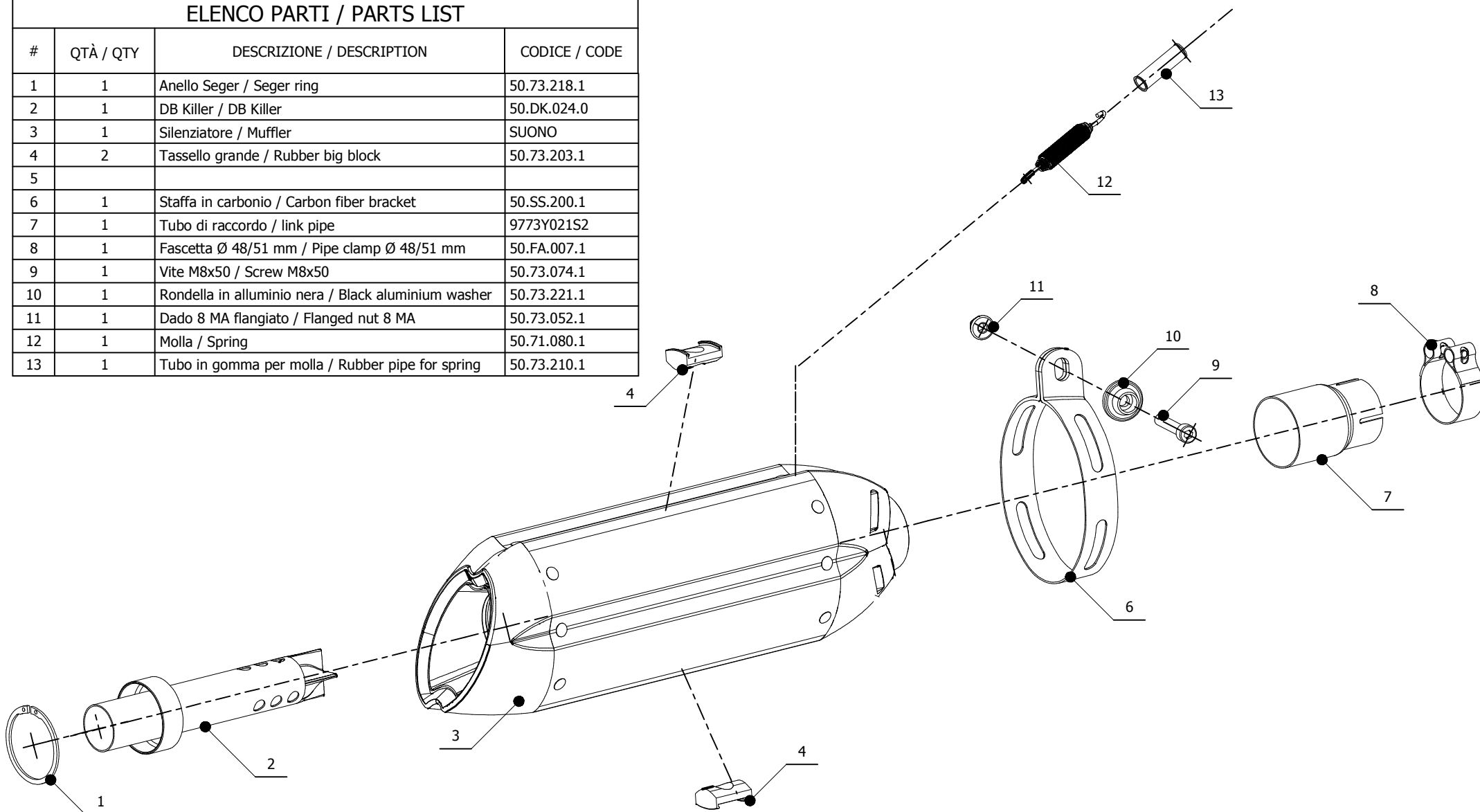


**ELENCO PARTI / PARTS LIST**

#	QTÀ / QTY	DESCRIZIONE / DESCRIPTION	CODICE / CODE
1	1	Anello Seger / Seger ring	50.73.218.1
2	1	DB Killer / DB Killer	50.DK.024.0
3	1	Silenziatore / Muffler	SUONO
4	2	Tassello grande / Rubber big block	50.73.203.1
5			
6	1	Staffa in carbonio / Carbon fiber bracket	50.SS.200.1
7	1	Tubo di raccordo / link pipe	9773Y021S2
8	1	Fascetta Ø 48/51 mm / Pipe clamp Ø 48/51 mm	50.FA.007.1
9	1	Vite M8x50 / Screw M8x50	50.73.074.1
10	1	Rondella in alluminio nera / Black aluminium washer	50.73.221.1
11	1	Dado 8 MA flangiato / Flanged nut 8 MA	50.73.052.1
12	1	Molla / Spring	50.71.080.1
13	1	Tubo in gomma per molla / Rubber pipe for spring	50.73.210.1


**APPLICAZIONI / APPLICATIONS**

CODICE / CODE	TUBO / PIPE	SILENZIATORE / MUFFLER	FASCETTA / CLAMP
Y.021.L7	INOX / ST. STEEL	CARBONIO E TITANIO / CARBON FIBER AND TITANIUM	CARBONIO / CARBON FIBER