



MODEL YAMAHA YZF R125

YEAR 2008 -->

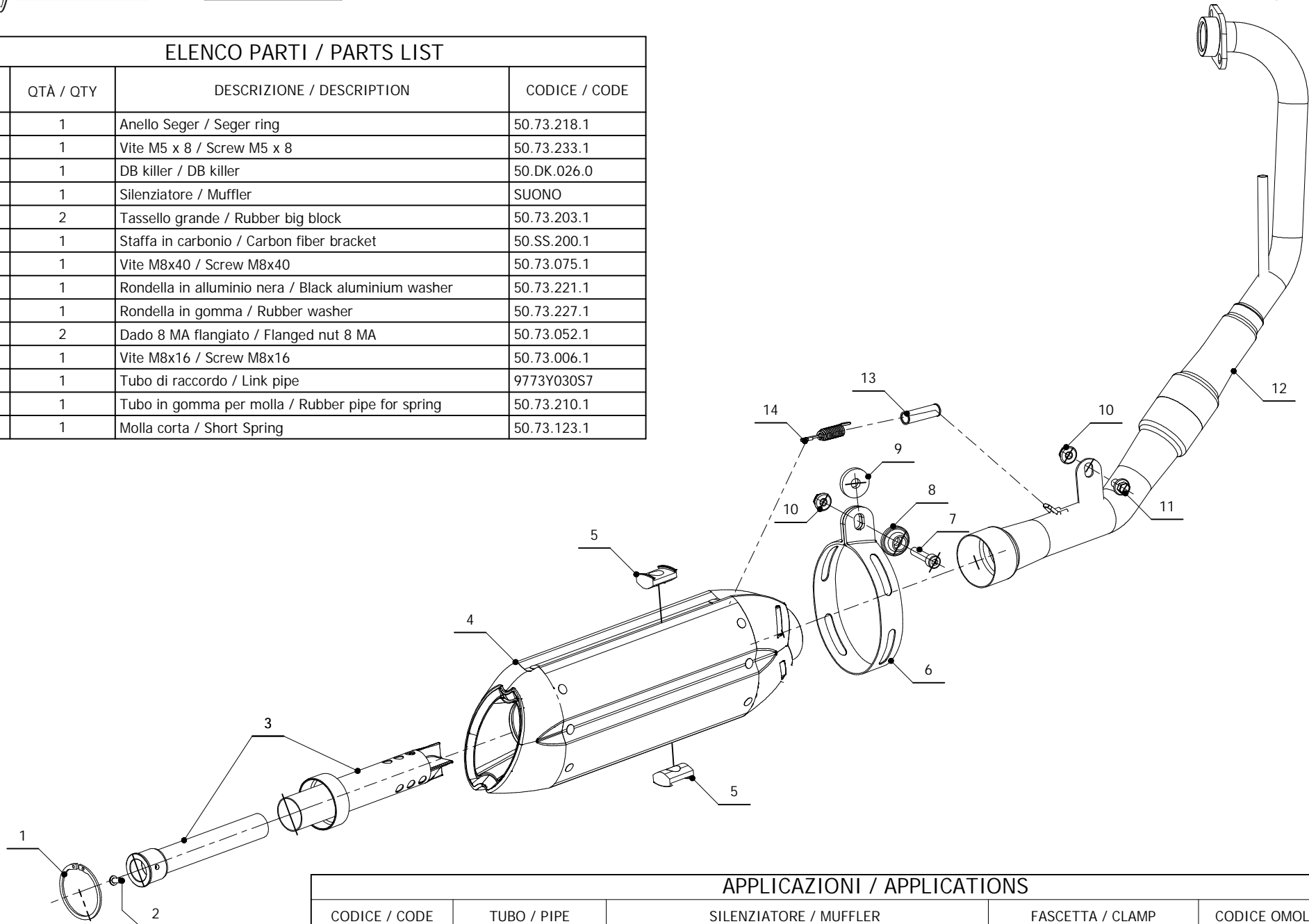
LINE SPORT

MUFFLER SUONO

SCHEMATIC

ELENCO PARTI / PARTS LIST

#	QTA / QTY	DESCRIZIONE / DESCRIPTION	CODICE / CODE
1	1	Anello Seger / Seger ring	50.73.218.1
2	1	Vite M5 x 8 / Screw M5 x 8	50.73.233.1
3	1	DB killer / DB killer	50.DK.026.0
4	1	Silenziatore / Muffler	SUONO
5	2	Tassello grande / Rubber big block	50.73.203.1
6	1	Staffa in carbonio / Carbon fiber bracket	50.SS.200.1
7	1	Vite M8x40 / Screw M8x40	50.73.075.1
8	1	Rondella in alluminio nera / Black aluminium washer	50.73.221.1
9	1	Rondella in gomma / Rubber washer	50.73.227.1
10	2	Dado 8 MA flangiato / Flanged nut 8 MA	50.73.052.1
11	1	Vite M8x16 / Screw M8x16	50.73.006.1
12	1	Tubo di raccordo / Link pipe	9773Y030S7
13	1	Tubo in gomma per molla / Rubber pipe for spring	50.73.210.1
14	1	Molla corta / Short Spring	50.73.123.1



APPLICAZIONI / APPLICATIONS

CODICE / CODE	TUBO / PIPE	SILENZIATORE / MUFFLER	FASCETTA / CLAMP	CODICE OMOL. / HOMOL. CODE
Y.030.L7	INOX / ST. STEEL	INOX (COPPE CARBONIO) / ST. STEEL (CARBON CAPS)	CARBONIO / CARBON FIBER	ME047 e9 1356