

MOTOPLASTIC, S.A.

Molí de la sal, 1 - 08400 Granollers (Barcelona) SPAIN

Tel. 34 93 849 06 33 - Fax 34 93 849 09 88

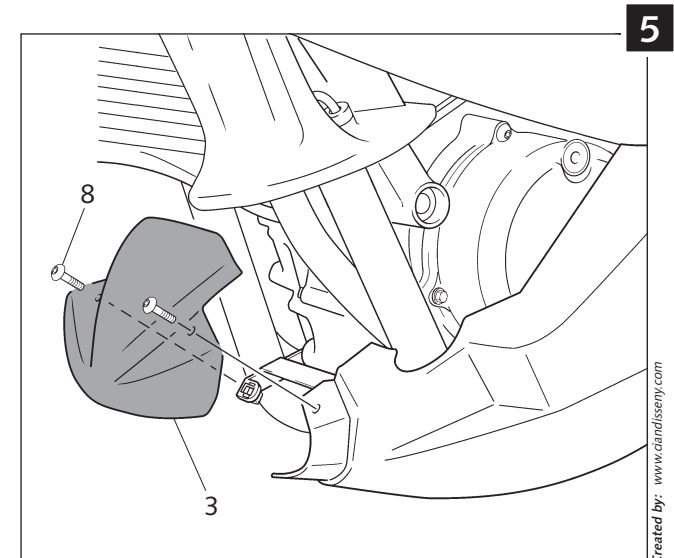
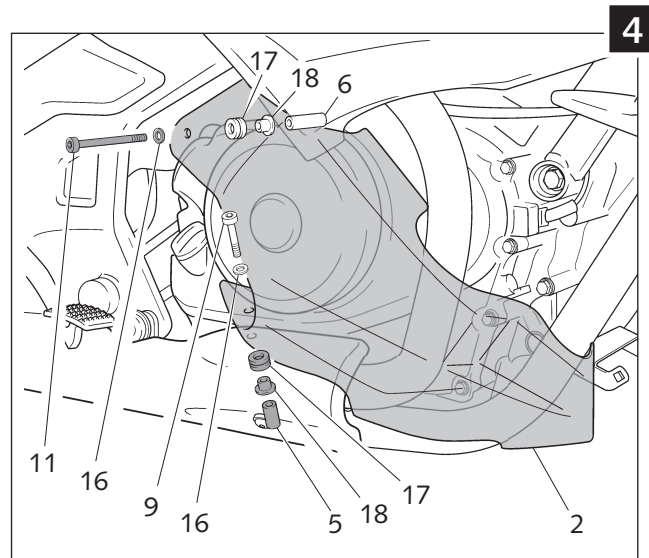
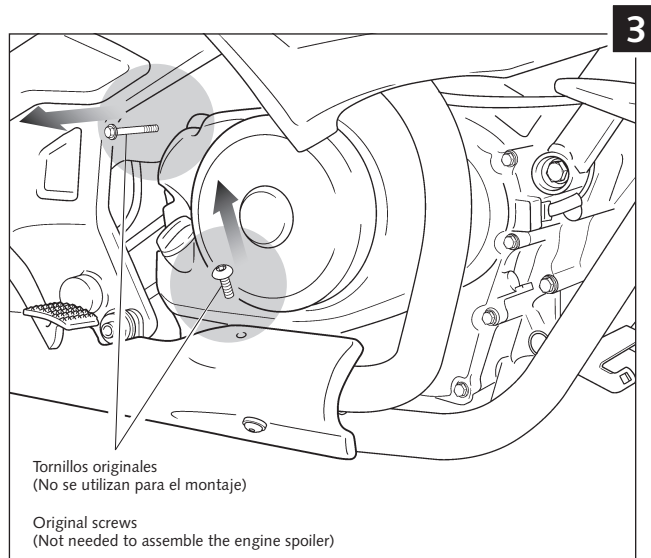
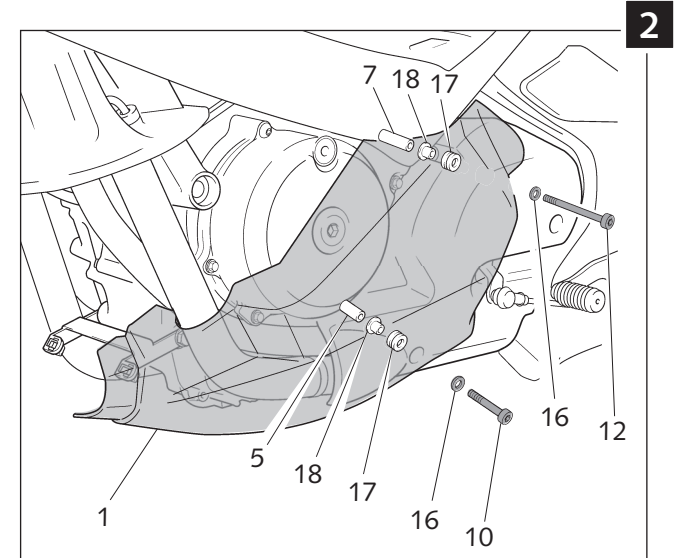
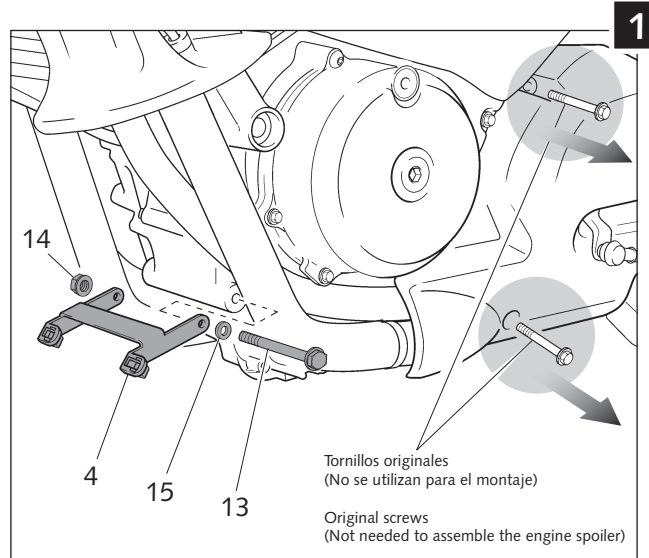
info@motoplastic.com

www.puig.tv

INSTRUCCIONES DE MONTAJE - MOUNTING INSTRUCTIONS

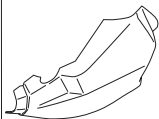

















QUILLA ADAPTABLE A - ENGINE SPOILER ADAPTABLE TO HONDA NT700V DEAUVILLE

Ref.: 4132



QUILLA ADAPATABLE A - ENGINE SPOILER ADAPTABLE TO
HONDA NT700V DEAUVILLE

Ref.: 4132

ID.		DESCRIPCIÓN	DESCRIPTION	QTY.
1		Lateral izquierdo quilla	Engine spoiler left part	1
2		Lateral derecho quilla	Engine spoiler right part	1
3		Frontal quilla	Engine spoiler front part	1
4		Soporte principal con 2 tuercas M6 enjauladas	Main support with 2 M6 nut caged in	1
5		Casquillo Ø ext. 12 x Ø int. 6.5x28 mm	Metal arrowhead Ø outer 12 x Ø inner 6.5x28 mm	2
6		Casquillo Ø ext. 12 x Ø int. 6.5x43 mm	Metal arrowhead Ø outer 12 x Ø inner 6.5x43 mm	1
7		Casquillo Ø ext. 12 x Ø int. 6.5x62 mm	Metal arrowhead Ø outer 12 x Ø inner 6.5x62 mm	1
8		Tornillo allen M6x20 DIN 1001	Allen screw M6x20 DIN 1001	2
9		Tornillo allen M6x55 DIN 912	Allen screw M6x55 DIN 912	1
10		Tornillo allen M6x60 DIN 912	Allen screw M6x60 DIN 912	1
11		Tornillo allen M6x90 DIN 912	Allen screw M6x90 DIN 912	1
12		Tornillo allen M6x100 DIN 912	Allen screw M6x100 DIN 912	1
13		Tornillo hexagonal M10/125x140 DIN 931	Hexagonal screw M10/125x140 DIN 931	1
14		Tuerca M10 grafilada DIN 6923	Nut M10 DIN 6923	1
15		Arandela Ø ext. 16x Ø int. 11x1 mm	Washer Ø outer 16 x Ø inner 11x1 mm	1
16		Arandela plana Ø 6 DIN 125/A	Washer Ø 6 DIN 125/A	4
17		Silemblock 9x11x18 (se suministra montado en la pieza)	Wellnut 9x11x18 (supplied mounted on the piece)	4
18		Casquillo con valona (se suministra montado en la pieza)	Metal arrowhead with washer (supplied mounted on the piece)	4