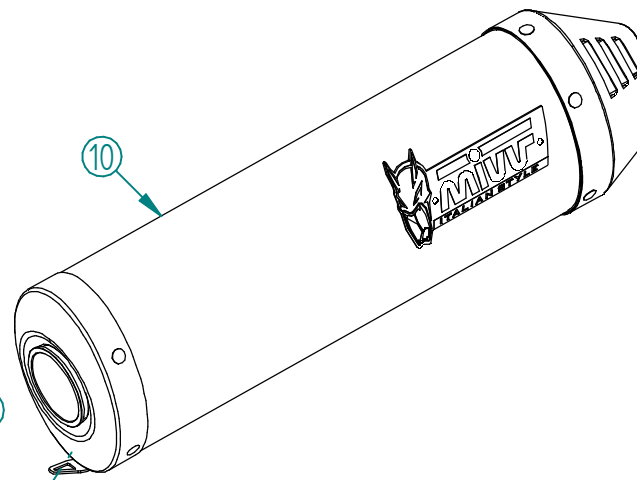
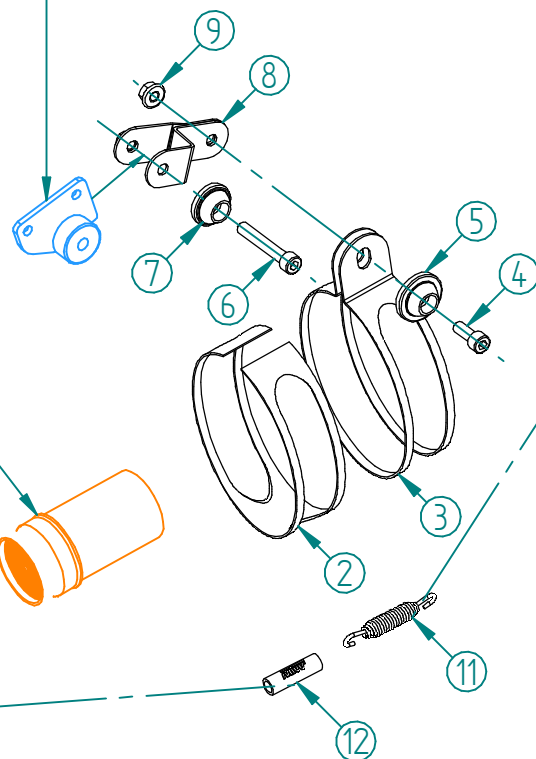
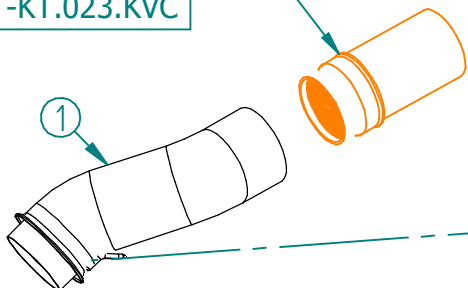


#	DESCRIPTION	PART NUMBER	QTY
1	Tubo di raccordo / Link pipe	9773KT023SE	1
2	Protezione in gomma / Rubber protection	50.73.041.1	1
3	Staffa / Bracket	50.SS.002.0	1
4	Vite M8x20 / Screw M8x20	50.73.894.1	1
5	Rondella in alluminio / Aluminium washer	50.73.063.1	1
6	Vite M8x50 / Screw M8x50	50.73.074.1	1
7	Rondella in alluminio / Aluminium washer	50.73.291.1	1
8	Staffa / Bracket	50.SS.1253.0	1
9	Dado M8 flangiato / Flanged nut M8	50.73.393.1	1
10	Silenziatore / Muffler - db killer 50.DK.092.0	OVAL CARBON CAP 400	1
11	Molla media / Mid-size spring	50.73.359.1	1
12	Tubo in gomma / Rubber pipe	50.73.210.1	1

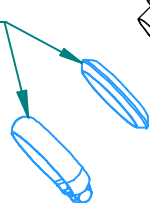
Telaio
Frame



Catalytic Converter
Cod. ACC.041.A1
Optional for KT.023.LNC -KT.023.LVC
Included in KT.023.KNC -KT.023.KVC



Parti originali
Original parts



OPTIONAL PARTS



Collettore racing - Racing collector
KT.023.C1

Monta sia con silenziatore MIVV che con lo scarico originale
It fits both MIVV and genuine silencer

Carter in carbonio - Carbon fiber cover
00.73.ACC.091.0



APPLICAZIONI / APPLICATIONS

CODICE / CODE	SILENZIATORE / MUFFLER	NOTE	TUBO / PIPE	FASCETTA / CLAMP
KT.023.LNC	TITANIO (Coppa carbonio) / TITANIUM (Carbon cap)	CATALYTIC CONVERTER		
KT.023.LVC	INOX NERO (Coppa carbonio) / STEEL BLACK (Carbon cap)	NOT INCLUDED	INOX / ST. STEEL	INOX / ST. STEEL
KT.023.KNC	TITANIO (Coppa carbonio) / TITANIUM (Carbon cap)	CATALYTIC CONVERTER		
KT.023.KVC	INOX NERO (Coppa carbonio) / STEEL BLACK (Carbon cap)	INCLUDED		