



MODEL KYMCO AK550

YEAR 2017 -->

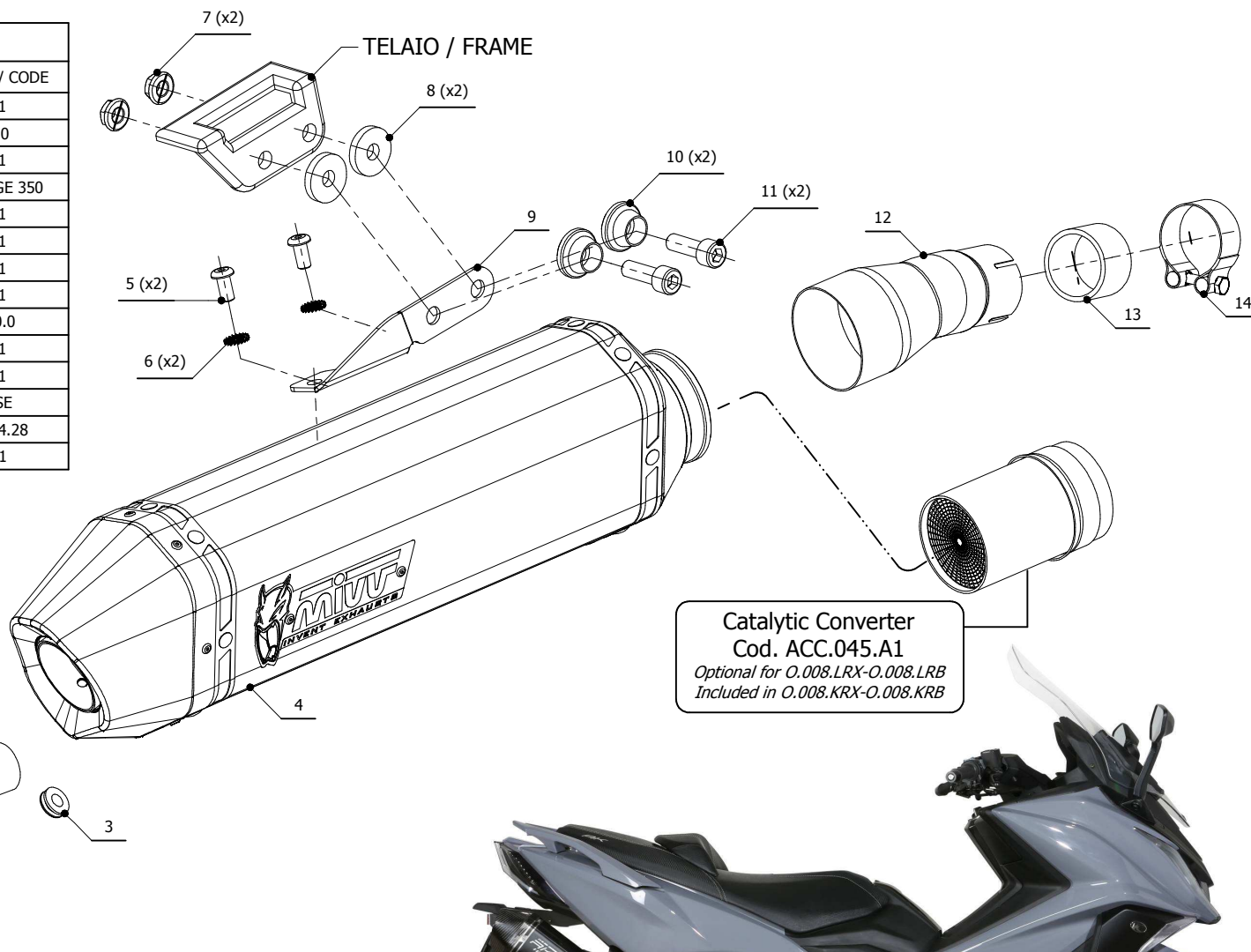
LINE SLIP ON

MUFFLER SPEED EDGE

SCHEMATIC

ELENCO PARTI / PARTS LIST

#	QTÀ / QTY	DESCRIZIONE / DESCRIPTION	CODICE / CODE
1	1	Vite M5 x 8 / Screw M5 x 8	50.73.459.1
2	1	DB killer / DB killer	50.DK.090.0
3	1	Tappo in gomma / Rubber stopper	50.73.266.1
4	1	Silenziatore / Muffler	SPEED EDGE 350
5	2	Vite M8 x 16 / Screw M8 x 16	50.73.098.1
6	2	Rondella di sicurezza / Safety washer	50.73.604.1
7	2	Dado M10 flangiato / Flanged nut M10	50.73.332.1
8	2	Rondella in gomma / Rubber washer	50.73.227.1
9	1	Staffa / Bracket	50.SS.1000.0
10	2	Rondella in alluminio nera / Black aluminium washer	50.73.330.1
11	2	Vite M10x30 / Screw M10x30	50.73.814.1
12	1	Tubo di raccordo / Link pipe	97730008SE
13	1	Guarnizione in grafite / Graphite bush	50.72.38.44.28
14	1	Fascetta Ø 44/47 mm / Pipe clamp Ø 44/47 mm	50.FA.006.1



Catalytic Converter
Cod. ACC.045.A1
Optional for O.008.LRX-O.008.LRB
Included in O.008.KRX-O.008.KRB

APPLICAZIONI / APPLICATIONS

CODICE / CODE	SILENZIATORE / MUFFLER	LOGO	TUBO / PIPE	NOTE
O.008.LRX O.008.LRB	INOX (COPPE CARBONIO) / ST. STEEL (CARBON CAPS) STEEL BLACK	ALUMINIUM LABEL LASER	INOX / ST. STEEL	CATALYTIC CONVERTER NOT INCLUDED
O.008.KRX O.008.KRB	INOX (COPPE CARBONIO) / ST. STEEL (CARBON CAPS) STEEL BLACK	ALUMINIUM LABEL LASER	INOX / ST. STEEL	CATALYTIC CONVERTER INCLUDED

