



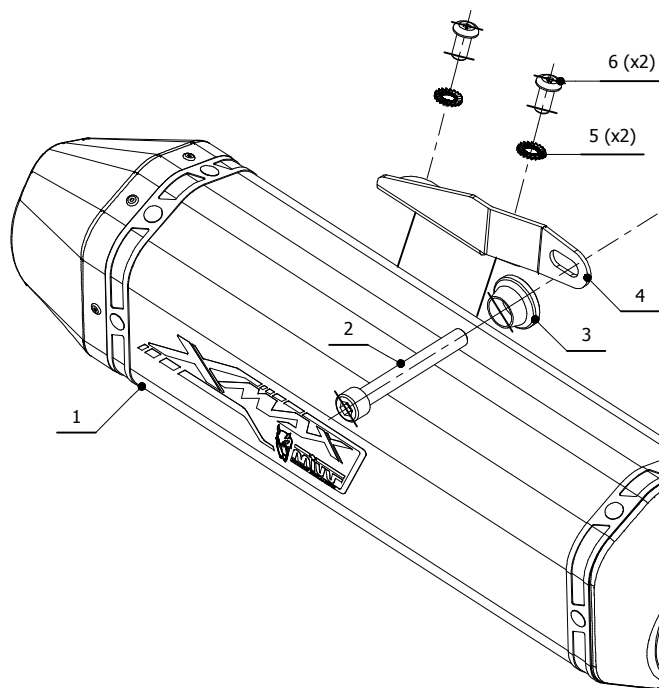
MODEL YAMAHA X-MAX 300

YEAR 2017 -->

LINE FULL SYSTEM

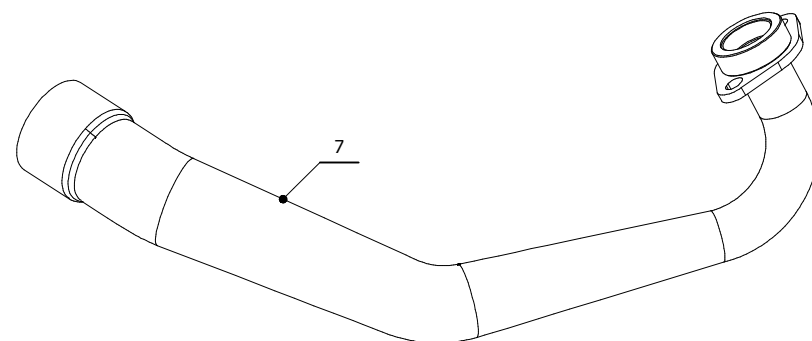
MUFFLER SPEED EDGE

SCHEMATIC



ELENCO PARTI / PARTS LIST			
#	QTÀ / QTY	DESCRIZIONE / DESCRIPTION	CODICE / CODE
1	1	Silenziatore / Muffler	SPEED EDGE 350
2	1	Vite M10x80 / Screw M10x80	50.73.180.1
3	1	Rondella in alluminio nera / Black aluminium washer	50.73.330.1
4	1	Staffa / Bracket	50.SS.1006.0
5	2	Rondella di sicurezza / Safety washer	50.73.604.1
6	2	Vite M8 x 16 / Screw M8 x 16	50.73.098.1
7	1	Tubo di raccordo / Link pipe	9773Y062SRX

Catalytic Converter
Cod. ACC.041.A1
Optional for Y.062.LRB
Included in Y.062.KRB



APPLICAZIONI / APPLICATIONS

CODICE / CODE	SILENZIATORE / MUFFLER	LOGO	TUBO / PIPE	NOTE
Y.062.LRB	STEEL BLACK	LASER	INOX / ST. STEEL	CATALYTIC CONVERTER NOT INCLUDED
Y.062.KRB	STEEL BLACK	LASER	INOX / ST. STEEL	CATALYTIC CONVERTER INCLUDED