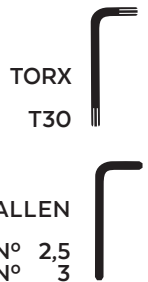


# KTM 790 ADVENTURE '19- / R '19- / 890 ADVENTURE '21-

## M O U N T I N G I N S T R U C T I O N S

REF 20504

M.E.M. ( MANUAL ELEVATION MECHANISM) FOR SCREENS



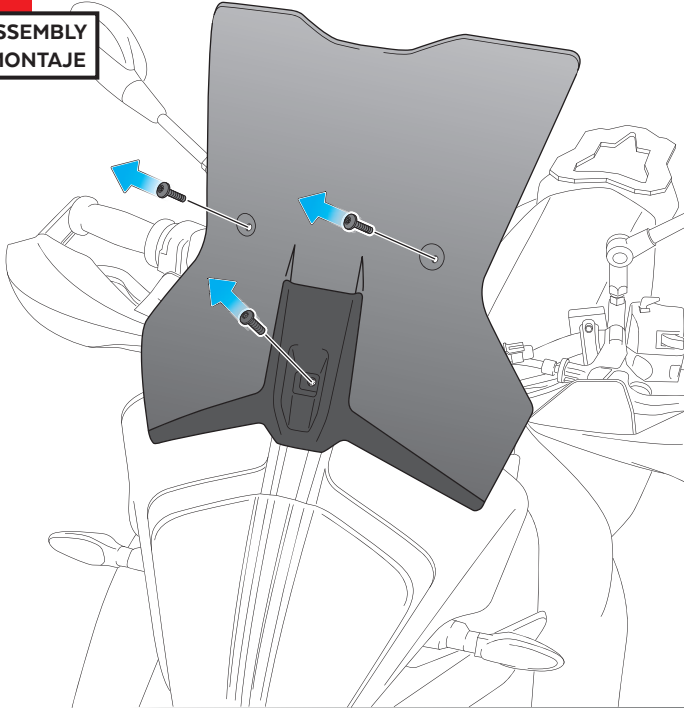
| ID | PIEZA/PART | DESCRIPCIÓN                            | DESCRIPTION                    | QTY | REF             |
|----|------------|--|--------------------------------|-----|-----------------|
| 1  |            | Guías                                  | Guides                         | 2   | VARILLMEM-20504 |
| 2  |            | Soporte cúpula izquierdo               | Left screen support            | 1   | SOP10P9-SL20504 |
| 3  |            | Soporte cúpula derecho                 | Right screen suport            | 1   | SOP10P9-SR20504 |
| 4  |            | Soporte inferior                       | Lower support                  | 1   | SOP10P9--L20504 |
| 5  |            | Soporte central                        | Central support                | 1   | SOP10P9--C20504 |
| 6  |            | Soporte varilla izquierdo              | Left guide support             | 1   | SOP10P9-GL20504 |
| 7  |            | Soporte varilla derecho                | Right guide suport             | 1   | SOP10P9-GR20504 |
| 8  |            | Soporte palanca izquierdo              | Left lever support             | 1   | SOP10P9-LL20504 |
| 9  |            | Soporte palanca derecho                | Right lever suport             | 1   | SOP10P9-LR20504 |
| 10 |            | Soporte unión palanca-cúpula izquierdo | Left screen-lever support      | 1   | SOP10P9LSL20504 |
| 11 |            | Soporte unión palanca-cúpula derecho   | Right screen-lever support     | 1   | SOP10P9LSR20504 |
| 12 |            | Casquillo nylon superior (washer A)    | Upper nylon bush (washer A)    | 2   | CASQUI-----851  |
| 13 |            | Casquillo nylon inferior (washer B)    | Lower nylon bush (washer B)    | 2   | CASQUI-----852  |
| 14 |            | Casquillo Ø4,3x Ø8 x2,5                | Ø4,3x Ø8 x2,5 spacer           | 2   | CASQUI-----3732 |
| 15 |            | Remache Ø4x10mm                        | Ø4x10mm Blind Rivet            | 2   | REMACHE-4X10--- |
| 16 |            | Tornillo Allen M4x12 Ø9 ISO7380        | M4x12 Ø9 ISO7380 Allen screw   | 2   | TORNI-I7380-800 |
| 17 |            | Tornillo Allen M4x10 ISO7380           | M4x10 ISO7380 Allen screw      | 4   | TORNI-I7380-645 |
| 18 |            | Tornillo Allen M4x8 ISO7380            | M4x8 ISO7380 Allen screw       | 4   | TORNI-I7380-757 |
| 19 |            | Tuerca M4 autoblocante                 | M4 nut                         | 2   | TUERCAE985-0290 |
| 20 |            | Tapón tuerca M4                        | M4 nut cap                     | 2   | TAPON-----91    |
| 21 |            | Arandela Grower M4 DIN127/B            | M4 DIN127/B Grower washer      | 4   | ARAND-----854   |
| 22 |            | Tornillo Allen M5x16 Ø11 ISO 7380      | M5x16 Ø11 ISO 7380 Allen screw | 2   | TORNI-I7380-493 |
| 23 |            | Tornillo Allen M5x30 Ø11 ISO 7380      | M5x30 Ø11 ISO 7380 Allen screw | 1   | TORNI-I7380-767 |
| 24 |            | Arandela de Nylon M5x1                 | M5x1 nylon washer              | 1   | ARNV0000000245  |

# KTM 790 ADVENTURE '19- / R '19- / 890 ADVENTURE '21-

INSTRUCCIONES DE MONTAJE - MOUNTING INSTRUCTIONS - MONTAGEANLEITUNG

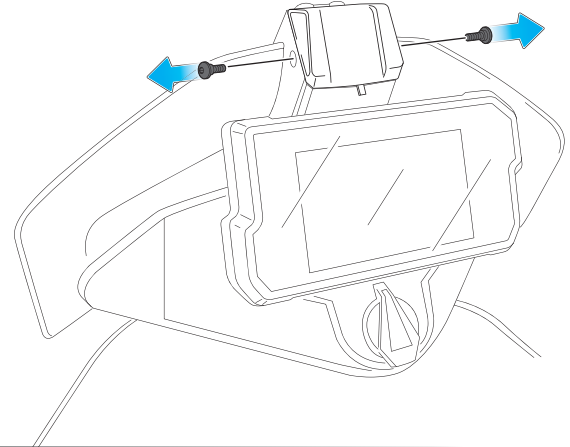
**1**

DISASSEMBLY  
DESMONTAJE



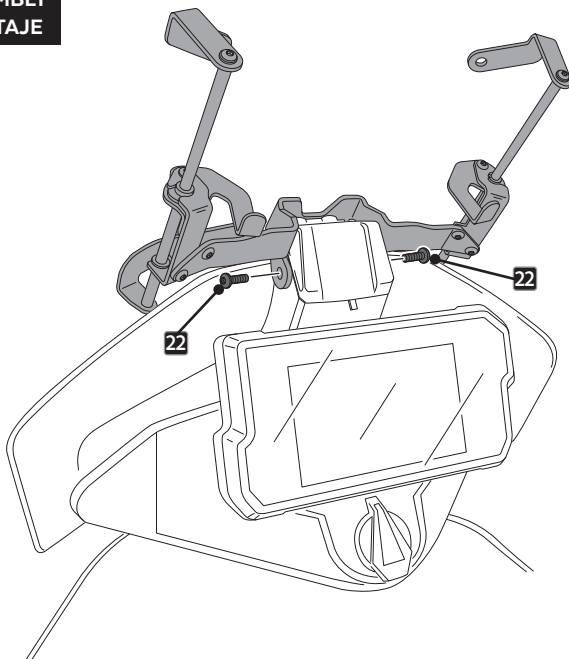
**2**

DISASSEMBLY  
DESMONTAJE



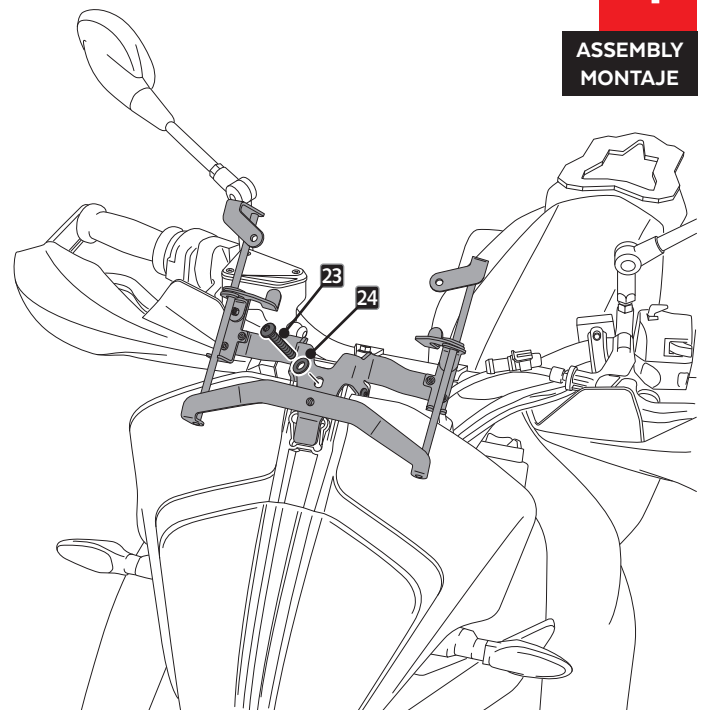
**3**

ASSEMBLY  
MONTAJE



**4**

ASSEMBLY  
MONTAJE

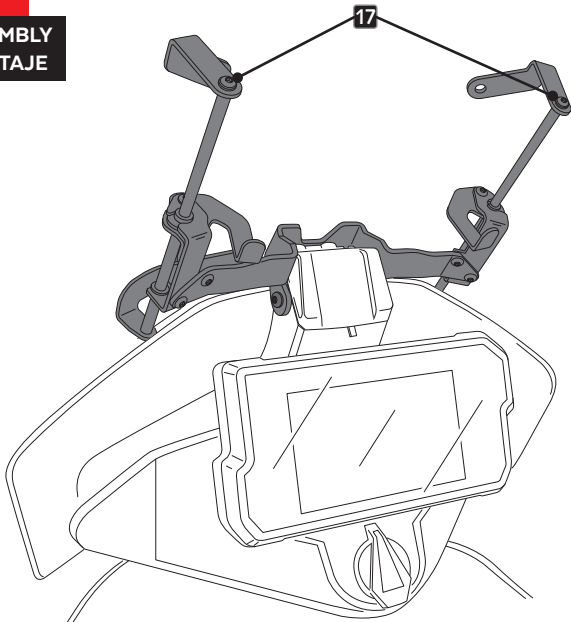


# KTM 790 ADVENTURE '19- / R '19- / 890 ADVENTURE '21-

INSTRUCCIONES DE MONTAJE - MOUNTING INSTRUCTIONS - MONTAGEANLEITUNG

**5**

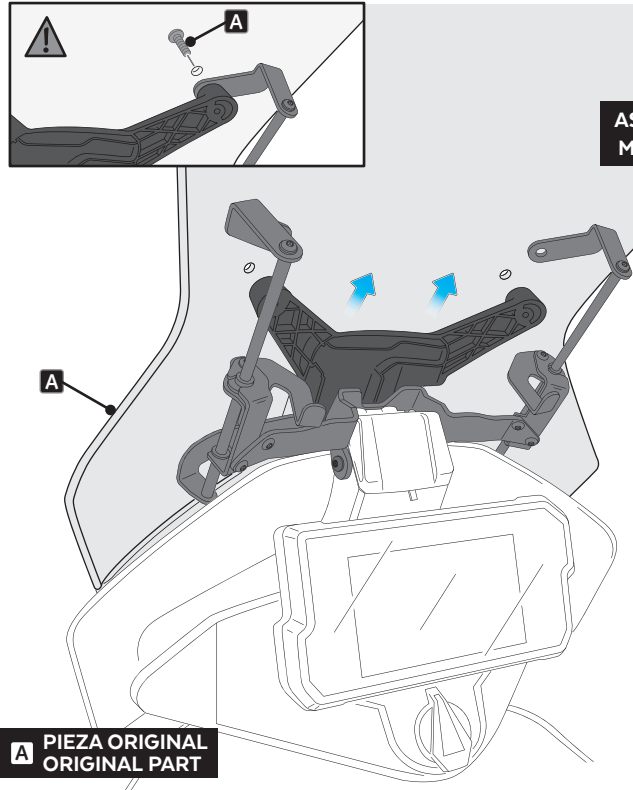
ASSEMBLY  
MONTAJE



**ID-17** AFLOJAR LOS TORNILLOS  
LOOSEN SCREWS

**6**

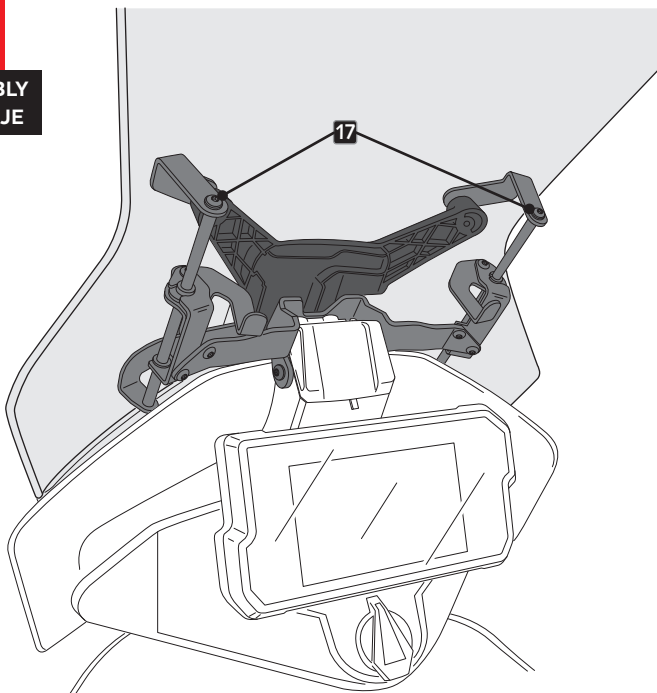
ASSEMBLY  
MONTAJE



**A** PIEZA ORIGINAL  
ORIGINAL PART

**7**

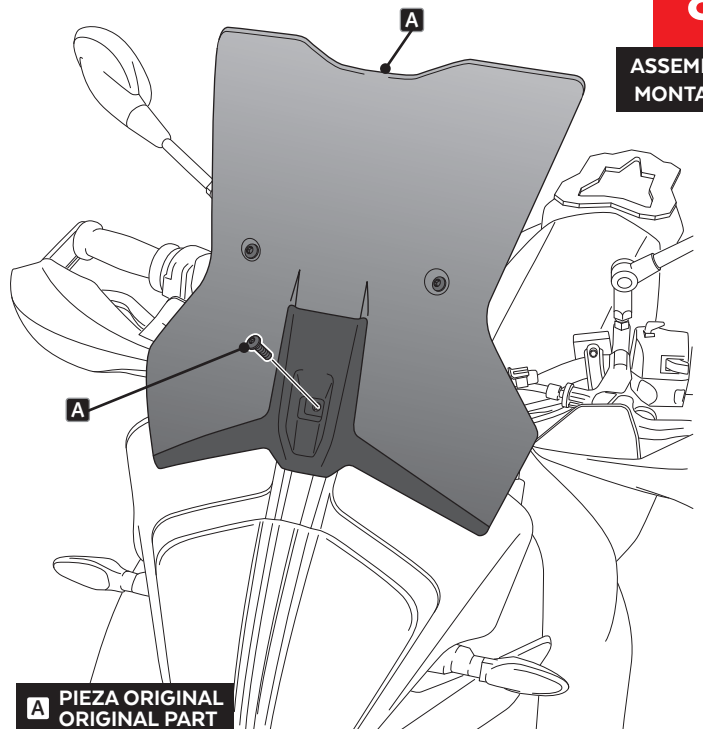
ASSEMBLY  
MONTAJE



**ID-17** APRETAR LOS TORNILLOS  
TIGHTEN SCREWS

**8**

ASSEMBLY  
MONTAJE



**A** PIEZA ORIGINAL  
ORIGINAL PART

# KTM 790 ADVENTURE '19- / R '19- / 890 ADVENTURE '21-

## EXPLOTING

